

LED Light

Multi
TECH

التقنيات المتعددة للصناعات الهندسية ذ.م.م

MULTI - TECH ENGINEERING INDUSTRIES L.L.C.



P. o. Box: 69849

Sharjah, United Arab Emirates

Tel: +97165360003

Fax: +97165360033

Web: www.multitech.ae

P. o. Box: 426

Postal Code: 112

Muscat, Sultanate of Oman

Tel: +968 91798111

email: multi@multitech.ae

Led Bollard L1022

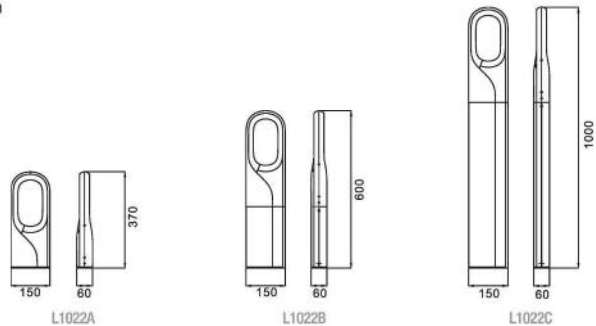


Specification

Product Code	L1022A	L1022B	L1022C
LED Current(mA)	300mA/600mA	300mA/600mA	300mA/600mA
LED Quantity	40pcs 2835	40pcs 2835	40pcs 2835
Rated Power	10W/18W	10W/18W	10W/18W
Color Temperature	6500/4000/3000K	6500/4000/3000K	6500/4000/3000K
Luminous Flux	90LUM/W	90LUM/W	90LUM/W
Input Voltage	AC100-277V	AC100-277V	AC100-277V
Frequency Range	50/60Hz	50/60Hz	50/60Hz
CRI	RA75	RA75	RA75
Temperature of working condition	-40°C - 45°C	-40°C - 45°C	-40°C - 45°C
humidity of working condition	20% - 90%	20% - 90%	20% - 90%
LED life time	7000h	7000h	7000h
Protection Grade	IP65	IP65	IP65
Light Height	370mm	600mm	1000mm
Net Weight	2KG	3KG	4KG
Gross Weight	3KG	4KG	5KG
Product Size	150x60x370mm	150x60x600mm	150x60x1000mm
Packing Size	160x70x380mm	160x70x620mm	160x70x1020mm

Packing size is outer size of box
All parameters are measured at 25°C ambient temperature, 35% humidity experimental environment.

Product Dimension

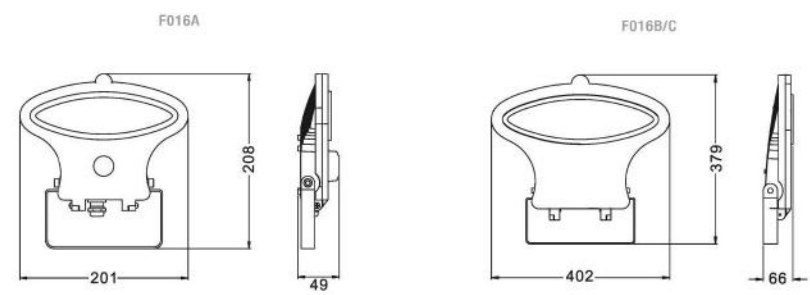


Specification

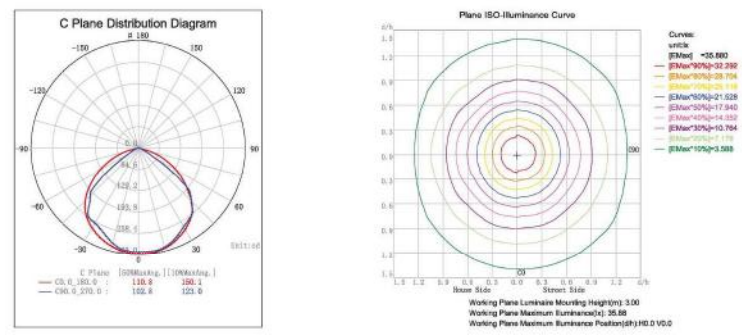
Product Code	F016A	F016B	F016C
LED Quantity	COB*1	COB*1	COB*1
Rated Power	10W	30W	50W
Color Temperature	6500/4000/3000K	6500/4000/3000K	6500/4000/3000K
Luminous Flux	80LM/W	80LM/W	80LM/W
PF	0.92	0.92	0.92
Net Weight	0.8Kg	3.6Kg	3.7Kg
Gross Weight	1Kg	4.5Kg	4.7Kg
Product Size	201*208*49mm	402*379*66mm	402*379*66mm
Packing Size	265*280*100mm	455*430*100mm	455*430*100mm

Packing size is outer size of box
All parameters are measured at 25°C ambient temperature, 35% humidity experimental environment.

Product Dimension



Light Distribution Curve



AC100-277V Input Voltage	Hz 50/60 Frequency Range	PF >0.92 Power Factor	<15% THD	CRI 75 Color Rendering Index	40-49°C Temperature of Working Condition	10-90% Humidity of Working Condition	70000h Life Time	IP66 Protection Grade
------------------------------------	------------------------------------	------------------------------------	-----------------------	--	--	--	----------------------------	---------------------------------

Led Bollard

L1023

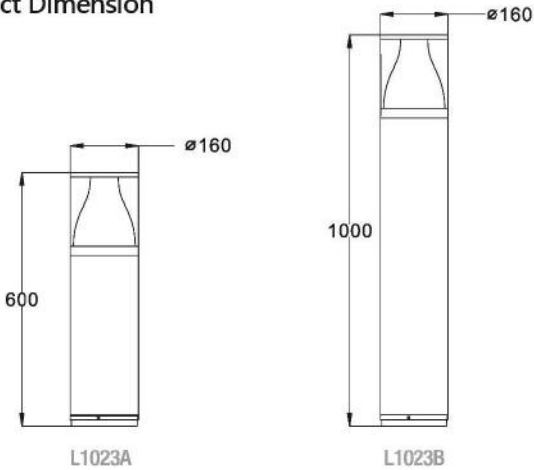


Specification

Product Code	L1023A	L1023B
Rate Power	12W	12W
Luminors Flux	80 lum/W	80 lum/W
LED	Philip COB	Philip COB
Installation pipedia	Φ128	Φ128
Protection Grade	IP54	IP54
Color Temperature	3000K/4000K	3000K/4000K
Product Size	Φ160x600	Φ160x1000
Packing Size	170x170x620mm	170x170x1020mm

Packing size is outer size of box
 All parameters are measured at 25°C ambient temperature, 35% humidity experimental environment.

Product Dimension





Multi-Tech LED Light



Led Street Light

1060

Cree/Philips Lumiled 3030 Led ,two options



1061

Cree/Philips Lumiled 3030 Led ,two options



Inventronics driver

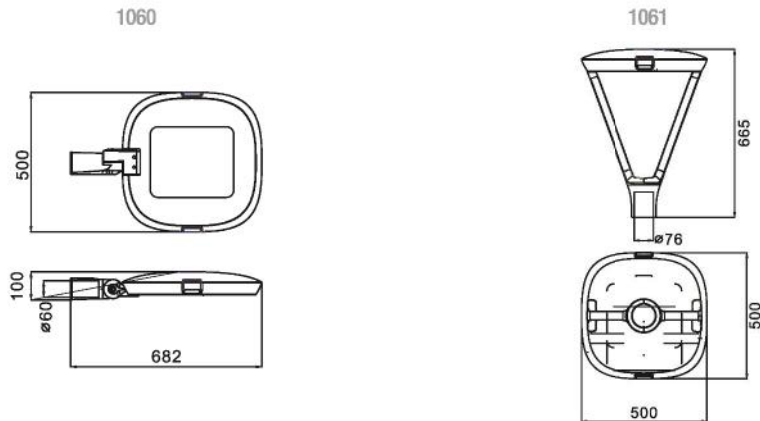
- Used in high strength aluminum die casting material,surface anit-ageing electrostatic spray processing,super resistance to corrosion.
- High transparent tempered glass cover, high strength impact resistance.
Input Voltage: AC100-240V, 50/60Hz, IP66, Ik09
- Different type lens for choice
- Windy area : 1060 600 cm², 1061 815 cm²
- Spare parts for choice
 - 10 kv/20kv SPD
 - 0-10v dimming driver
 - auto switch
- 5 years warranty

Specification

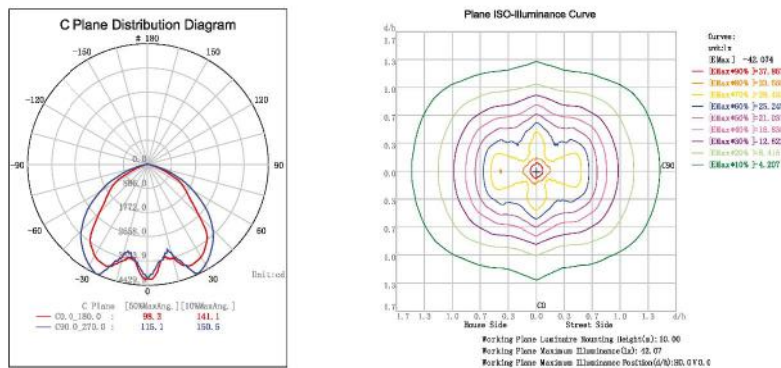
Product Code	1060/1061 30W	1060/1061 60W	1060/1061 100W
LED Current(mA)	400mA	400mA	400mA
LED Quantity	24pcs CREE XTE	48pcs CREE XTE	64pcs CREE XTE
Rated Power	30W	60W	100W
Color Temperature	6500/4000/3000K	6500/4000/3000K	6500/4000/3000K
Luminous Flux	110LUM/W	110LUM/W	110LUM/W
Input Voltage	AC100-277V	AC100-277V	AC100-277V
Frequency Range	50/60Hz	50/60Hz	50/60Hz
CRI	RA75	RA75	RA75
Temperature of working condition	-40°C - 45°C	-40°C - 45°C	-40°C - 45°C
humidity of working condition	20% - 90%	20% - 90%	20% - 90%
LED life time	70000h	70000h	70000h
Protection Gradel	IP66	IP66	IP66
Installation Height	3-4m	4-5m	5-6m
Net Weight	6.3KG	6.5KG	6.7KG
Gross Weight	7.5KG	7.7KG	7.9KG
Product Size	500x500x190mm	500x500x190mm	500x500x190mm
Packing Size	655x590x165mm	655x590x165mm	655x590x165mm

Packing size is outer size of box
 All parameters are measured at 25°C ambient temperature, 35% humidity experimental environment.

Product Dimension



Light Distribution Curve



AC100-277V Input Voltage	Hz 50/60 Frequency Range	PF >0.92 Power Factor	<15% THD	CRI 75 Color Rendering Index	-40~45°C Temperature of Working Condition	10~90% Humidity of Working Condition	70000h Life Time	IP66 Protection Grade
-----------------------------	--------------------------------	-----------------------------	-------------	------------------------------------	--	---	---------------------	--------------------------



Multi-Tech LED Light



Led Street Light

1062A

Cree/Philips Lumiled 3030 Led ,two options



1062W

Cree/Philips Lumiled 3030 Led ,two options



Inventronics driver

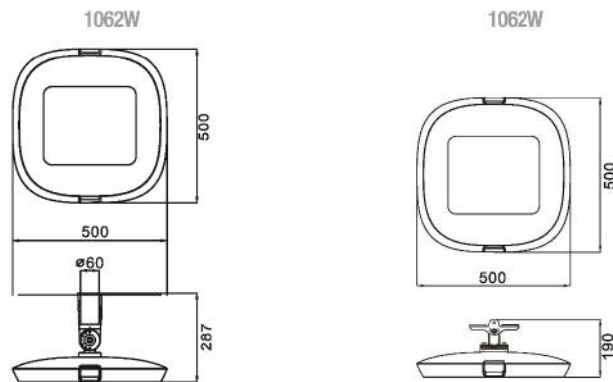
- Used in high strength aluminum die casting material, surface anit-ageing electrostatic spray processing, super resistance to corrosion.
- High transparent tempered glass cover, high strength impact resistance.
Input Voltage: AC100-240V, 50/60Hz, IP66, IK09
- Different type lens for choice
- Windy area : 700 cm²
- Spare parts for choice
 - 10 kv/20kv SPD
 - 0-10v dimming driver
 - auto switch
- 5 years warranty

Specification

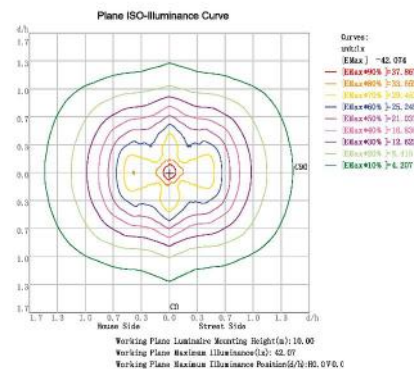
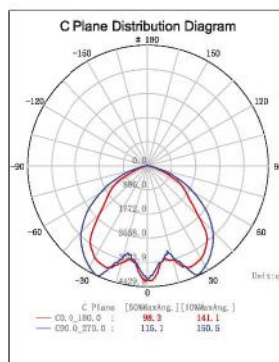
Product Code	1062A/1062W 30W	1062A/1062W 60W	1062A/1062W 100W
LED Current(mA)	400mA	400mA	400mA
LED Quantity	24pcs CREE XTE	48pcs CREE XTE	64pcs CREE XTE
Rated Power	30W	60W	100W
Color Temperature	6500/4000/3000K	6500/4000/3000K	6500/4000/3000K
Luminous Flux	110LUM/W	110LUM/W	110LUM/W
Input Voltage	AC100-277V	AC100-277V	AC100-277V
Frequency Range	50/60Hz	50/60Hz	50/60Hz
CRI	RA75	RA75	RA75
Temperature of working condition	-40°C - 45°C	-40°C - 45°C	-40°C - 45°C
humidity of working condition	20% - 90%	20% - 90%	20% - 90%
LED life time	70000h	70000h	70000h
Protection Gradel	IP66	IP66	IP66
Installation Height	3-4m	4-5m	5-6m
Net Weight	6.3KG	6.5KG	6.7KG
Gross Weight	7.5KG	7.7KG	7.9KG
Product Size	500x500x190mm	500x500x190mm	500x500x190mm
Packing Size	655x590x165mm	655x590x165mm	655x590x165mm

Packing size is outer size of box
 All parameters are measured at 25°C ambient temperature, 35% humidity experimental environment.

Product Dimension



Light Distribution Curve



AC100-277V Input Voltage	Hz 50/60 Frequency Range	PF >0.92 Power Factor	<15% THD	CRI 75 Color Rendering Index	-40~45°C Temperature of Working Condition	10~90% Humidity of Working Condition	70000h Life Time	IP66 Protection Grade
-----------------------------	--------------------------------	-----------------------------	-------------	------------------------------------	--	---	---------------------	--------------------------



Multi-Tech LED Light

LED Garden Light

1057



Philip Lumiled 3030 Led/Cree Led ,two options + Inventronics driver

- High strength aluminum die casting material, surface anti-ageing electrostatic spray processing, super resistance to corrosion.
- Glass cover, high strength impact resistance.
- Input Voltage: AC100-240V, 50/60Hz, IP66, Ik08
- Bracket: 76mm
- Spare parts for choice
 - 10 kv/20kv SPD
 - 0-10v dimming driver

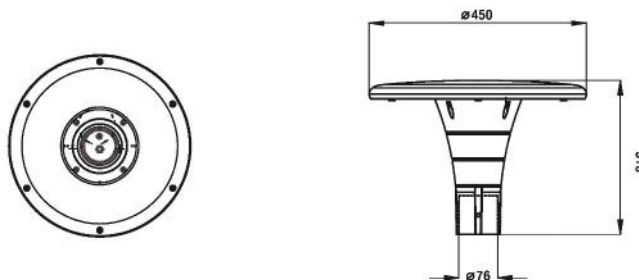
Specification

Product Code	1057A	1057B	1057C
Electric Current(mA)	750mA	1500mA	2000mA
LED Quantity	48pcs Philips 3030	108pcs Philips 3030	192pcs Philips 3030
Rated Power	30W	60W	100W
Color Temperature	6500/4000K/3000K	6500/4000K/3000K	6500/4000K/3000K
Luminous Flux	100Lum/W	100Lum/W	100Lum/W
Input Voltage	AC100-240V	AC100-240V	AC100-240V
Frequency Range	50/60Hz	50/60Hz	50/60Hz
CRI	RA75	RA75	RA75
Temperature of working condition	-40°C — 50°C	-40°C — 50°C	-40°C — 50°C
Humidity of working condition	20%-90%	20%-90%	20%-90%
LED life time	70000h	70000h	70000h
Protection Grade	IP66	IP66	IP66
Installation Pipe Dia	Φ76mm	Φ76mm	Φ76mm
Installation Height	3-5m	3-5m	3-5m
Net Weight	6 Kg	7 Kg	8 Kg
Gross Weight	7 Kg	8 Kg	9 Kg
Product Size	450*450*318mm	450*450*318mm	450*450*318mm
Packing Size	555*505*270mm	555*505*270mm	555*505*270mm

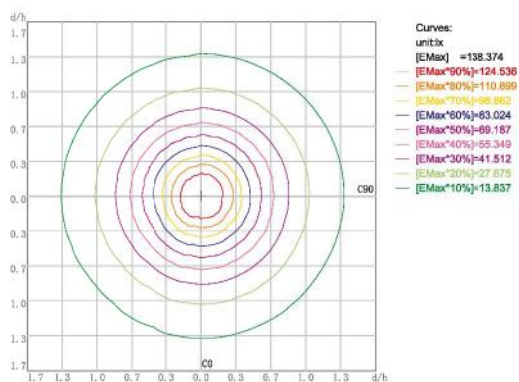
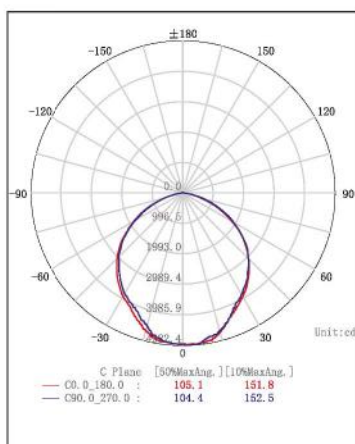
Packing size is outer size of box
 All parameters are measured at 25°C ambient temperature, 35% humidity experimental environment.

Product Dimension

1057



Light Distribution Curve



AC100-277V Input Voltage	Hz 50/60 Frequency Range	PF >0.92 Power Factor	<15% THD	CRI 75 Color Rendering Index	-40-45°C Temperature of Working Condition	10~90% Humidity of Working Condition	70000h Life Time	IP66 Protection Grade
-----------------------------	--------------------------------	-----------------------------	-------------	------------------------------------	--	---	---------------------	--------------------------



Multi-Tech LED Light

Led Garden Light

1054

Cree/Philips Lumiled 3030 Led



1055

COB Led + Inventronics driver



Inventronics driver

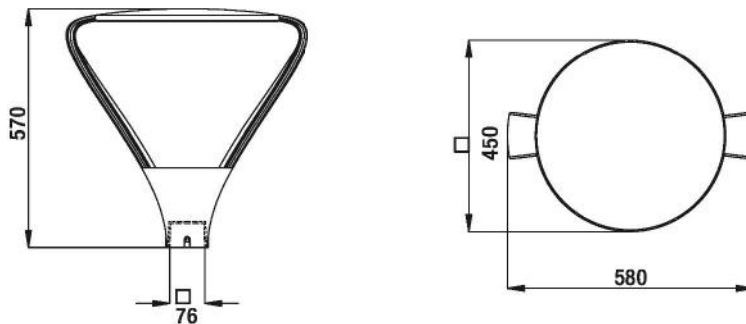
- Used in high strength aluminum die casting material, surface anit-ageing electrostatic spray processing, super resistance to corrosion.
- High transparent tempered glass cover, high strength impact resistance.
Input Voltage: AC100-240V, 50/60Hz, IP66, Ik08
- Different type lens for choice

Specification

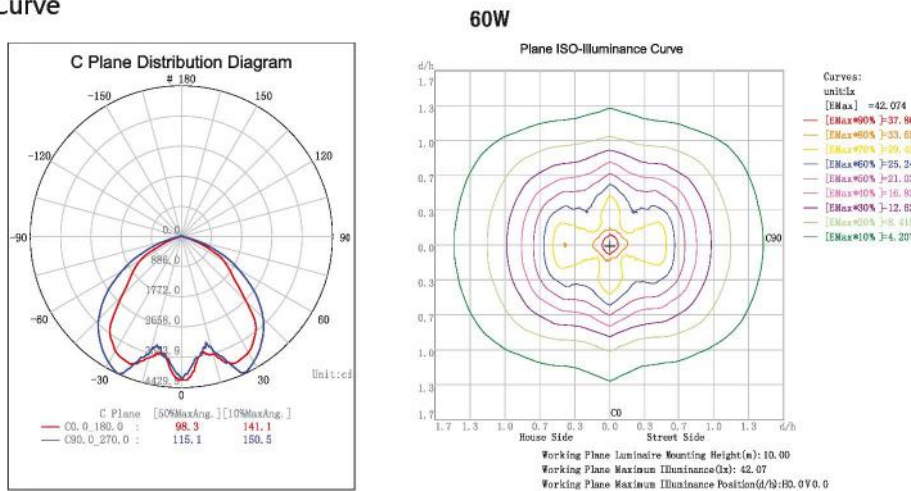
Product Code	1054 30W	1054 60W	1054 100W	1055A 30W
Electric Current (mA)	400mA	400mA	400mA	430mA
LED Quantity	Cree Led	Cree Led	Cree Led	Cree Led
Rated Power	30W	60W	100W	30W
Color Temperature	6500/4000/3000K	6500/4000/3000K	6500/4000/3000K	6500/4000/3000K
Luminous Flux	100lm/w/4000K	100lm/w/4000K	100lm/w/4000K	100lm/w/4000K
Input Voltage	AC100-240V	AC100-240V	AC100-240V	AC100-240V
Frequency Range	50/60Hz	50/60Hz	50/60Hz	50/60Hz
CRI	RA75	RA75	RA75	RA75
Temperature of working condition	-40°C - 50°C	-40°C - 50°C	-40°C - 50°C	-40°C - 50°C
humidity of working condition	20%-90%	20%-90%	20%-90%	20%-90%
LED life time	70000h	70000h	70000h	70000h
Protection Grade	IP66	IP66	IP66	IP66
Installation Pipe Dia	Φ76mm	Φ76mm	Φ76mm	Φ76mm
Installation Height	3-5m	4-6m	5-7m	3-5m
Net Weight	7.9kgs	8.46kgs	8.6kgs	7.9kgs
Gross Weight	9.1kgs	9.66kgs	10kgs	9.1kgs
Product Size	580*450*570mm	580*450*570mm	580*450*570mm	580*450*570mm
Packing Size	555*505*270mm	555*505*270mm	555*505*270mm	555*505*270mm

Packing size is outer size of box
All parameters are measured at 25°C ambient temperature, 35% humidity experimental environment.

Product Dimension



Light Distribution Curve



AC100-277V Input Voltage	Hz 50/60 Frequency Range	PF >0.92 Power Factor	<15% THD	CRI 75 Color Rendering Index	-40-45°C Temperature of Working Condition	10~90% Humidity of Working Condition	70000h Life Time	IP66 Protection Grade
-----------------------------	--------------------------------	-----------------------------	-------------	------------------------------------	--	---	---------------------	--------------------------



Multi-Tech LED Light



Led Garden Light 1044A

Cree/Philips Lumiled 3030 Led ,two options



1044B
Korea Led Modules



Inventronics driver

- Used in high strength aluminum die casting material, surface anti-ageing electrostatic spray processing, super resistance to corrosion.
- High transparent tempered glass cover, high strength impact resistance.
Input Voltage: AC100-240V, 50/60Hz, IP66, Ik09
- Different type lens for choice
- Windy area : 815 cm²
- Spare parts for choice
10 kv/20kv SPD
0-10v dimming driver
auto switch
- 5 years warranty

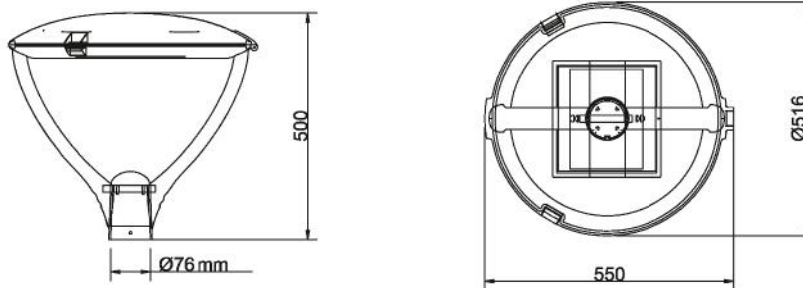
Specification

Product Code	1044A 30W	1044A 60W	1044A 100W
Electric Current (mA)	430mA	467mA	475mA
LED Quantity	24pcs Cree XTE	48pcs Cree XTE	64pcs Cree XTE
Rated Power	30W	60W	100W
Color Temperature	6500/4000/3000K	6500/4000/3000K	6500/4000/3000K
Luminous Flux	2700lm/4000K	5400lm/4000K	6000lm/4000K
Input Voltage	AC100-240V	AC100-240V	AC100-240V
Frequency Range	50/60Hz	50/60Hz	50/60Hz
CRI	RA75	RA75	RA75
Temperature of working condition	-40°C - 50°C	-40°C - 50°C	-40°C - 50°C
humidity of working condition	20%-90%	20%-90%	20%-90%
LED life time	70000h	70000h	70000h
Protection Grade	IP66	IP66	IP66
Installation Pipe Dia	Ø76mm	Ø76mm	Ø76mm
Installation Height	3-5m	4-6m	7-9m
Net Weight	7.9kgs	8.46kgs	8.5kgs
Gross Weight	9.1kgs	9.66kgs	10.5kgs
Product Size	550*516*500mm	550*516*500mm	550*516*500mm
Packing Size	655*590*165mm	655*590*165mm	655*590*165mm

Packing size is outer size of box

All parameters are measured at 25°C ambient temperature, 35% humidity experimental environment.

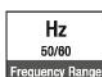
Product Dimension



Light Distribution Curve

1044B

Product Code	1044B 50W	1044B 75W	1044B 100W
LED Current (mA)	700mA	700mA	700mA
LED Quantity	Samsung/LG LED modules	Samsung/LG LED modules	Samsung/LG LED modules
Rated Power	50W	75W	100W
Color Temperature	6500/4000/3000K	6500/4000/3000K	6500/4000/3000K
Luminous Flux	6500lm/4000K	6500lm/4000K	6500lm/4000K
Input Voltage	AC100-240V	AC100-240V	AC100-240V
Frequency Range	50/60Hz	50/60Hz	50/60Hz
CRI	RA75	RA75	RA75
Temperature of working condition	-40°C - 50°C	-40°C - 50°C	-40°C - 50°C
humidity of working condition	20%-90%	20%-90%	20%-90%
LED life time	70000h	70000h	70000h
Protection Grade	IP66	IP66	IP66
Installation Pipe Dia	Ø60mm	Ø60mm	Ø60mm
Installation Height	5-7m	5-7m	5-7m
Net Weight	7kgs	7.35kgs	7.82kgs
Gross Weight	8kgs	8.53kgs	9.02kgs
Product Size	743*516*122mm	743*516*122mm	743*516*122mm
Packing Size	655*590*165mm	655*590*165mm	655*590*165mm





Multi-Tech LED Light



Led Garden Light

1036D



Cree/Philips Lumiled 3030 Led, two options
Meanwell driver

- Modern fashion design of appearance, made the light become an artwork, integrated with the environment perfectly, to made is as top project.
- High strength aluminum die casting material, surface anit-ageing electrostatic spray processing, super resistance to corrosion.
- PC diffuser, high strength impact resistance.
- Input Voltage: AC100-240V, 50/60Hz, IP66, IK08
- Driver installed in arm.



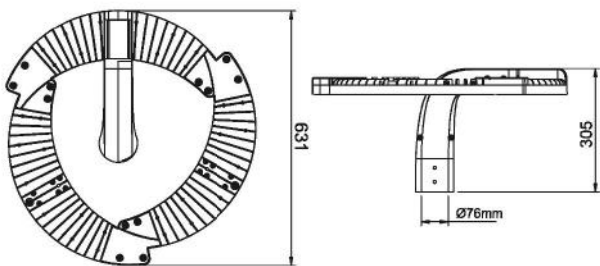
Specification

Product Code	1036A	1036B	1036C	1036D
LED Quantity	One Module	Two Modules	Three Modules	Three Modules
Rated Power	30W	60W	60W	60W
Electric Current (mA)	500MA	425MA	283MA	283MA
Color Temperature	6500/4000/3000K	6500/4000/3000K	6500/4000/3000K	6500/4000/3000K
Luminous Flux	100LM/W	100LM/W	100LM/W	100LM/W
Input Voltage	AC100-240V	AC100-240V	AC100-240V	AC100-240V
Frequency Range	50/60Hz	50/60Hz	50/60Hz	50/60Hz
CRI	RA75	RA75	RA75	RA75
Temperature of working condition	-40℃ - 50℃	-40℃ - 50℃	-40℃ - 50℃	-40℃ - 50℃
humidity of working condition	20%-90%	20%-90%	20%-90%	20%-90%
LED life time	60000h	60000h	60000h	60000h
Protection Grade	IP66	IP66	IP66	IP66
PF	0.92	0.92	0.92	0.92
Installation Pipe Dia	Φ76mm	Φ76mm	Φ76mm	Φ76mm
Installation Height	3m	4m	4m	4m
Net Weight	4.44 Kg	6.53 Kg	8.6 Kg	9 Kg
Gross Weight	5.44 Kg	7.73 Kg	10.1 Kg	11 Kg
Product Size	377*554*305mm	499*554*305	621*554*305mm	650*650*305mm
Packing Size	570*405*330mm	570*530*330mm	635*575*330mm	685*685*355mm(double cartons)

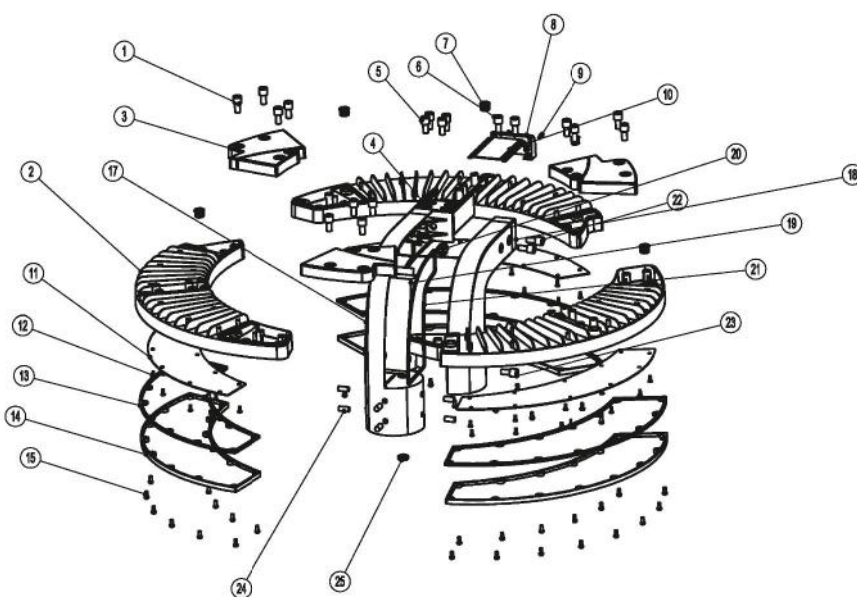
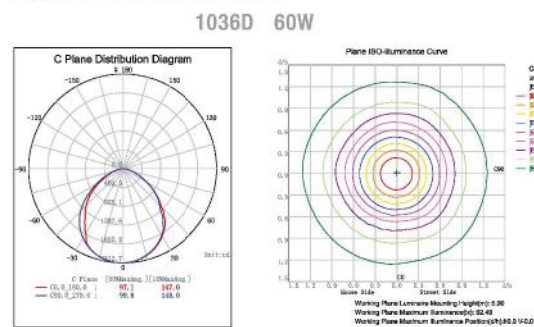
Remark: Each Module 20pcs CREE XTE

Packing size is outer size of box
All parameters are measured at 25℃ ambient temperature, 35% humidity experimental environment.

Product Dimension



Light Distribution Curve



25	Inlet Wire Protective Ring	Ø16*10mm	Silicone	1
24	Set Screw	M3*20mm	Silicone	8
23	Tapping Screw	M5*16mm	Silicone	1
22	Tapping Screw	M3*12mm	Silicone	1
21	Bend Pipe Sealing Strip		Silicone	1
20	Bend Pipe Sealing Ring		Silicone	1
19	Driver	HLG-60H-36A		1
18	Bearing Cover		ADC12	1
17	Column Sleeve		ADC12	1
16	Light Body		ADC12	1
15	Machine Screw	M4*10mm	Silicone	3
14	Fanned PC Cover		PC	3
13	Fanned Silicone Seal		Silicone	33
12	Machine Screw	M4*6mm	ADC12	33
11	MCPBC	T=1.5mm	ADC12	3
10	Single Aluminium Modular plate		ADC12	1
9	Machine Screw	M5*6mm	Stainless Steel	2
8	Aluminium Roof		Stainless Steel	1
7	Grand	M14*1mm	Stainless Steel	3
6	Socket Head Screw	M3*12mm	ADC12	2
5	Socket Head Screw	M3*18mm	ADC12	4
4	Single Aluminium Modular		ADC12	1
3	Circular Module Connection Plate		ADC12	3
2	Light Body		ADC12	3
1	Socket Head Screw	M3*12mm	Stainless Steel	12
ITEM	DESCRIPTION	SPECIFICATION	MATERIAL	QTY.



Multi-Tech LED Light

Led Garden Light



1036A



1036B



1036C

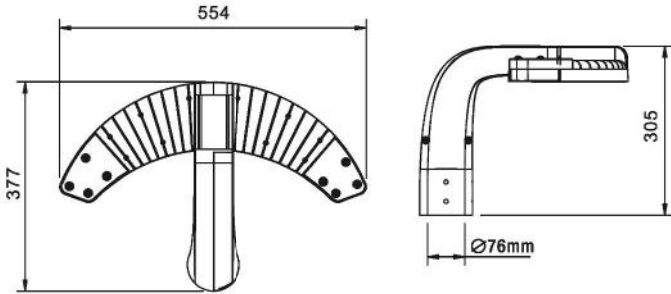


Cree/Philips Lumiled 3030 Led Meanwell driver

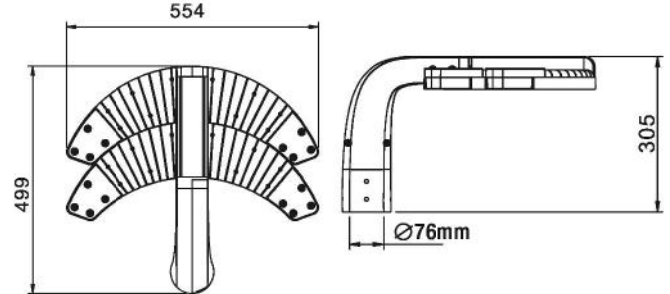
- Modern fashion design of appearance, made the light become an artwork, Integrated with the environment perfectly, to make it as top project.
- High strength aluminum die casting material, surface anti-ageing electrostatic spray processing, super resistance to corrosion.
- PC diffuser, high strength impact resistance.
- Input Voltage: AC100-240V, 50/60Hz, IP66, IK08
- Driver installed in arm.

Product Dimension

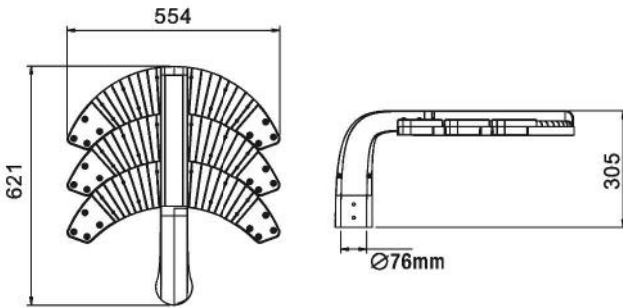
1036A



1036B

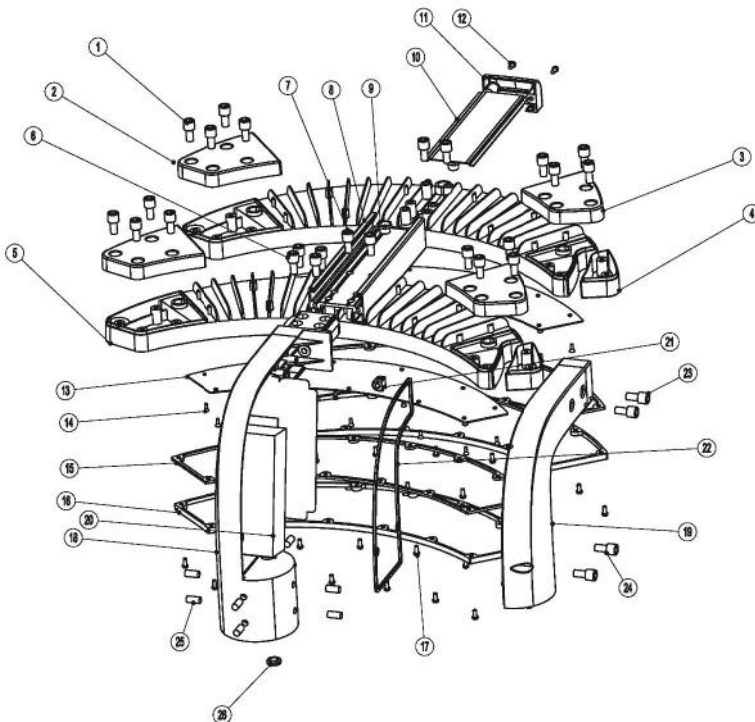
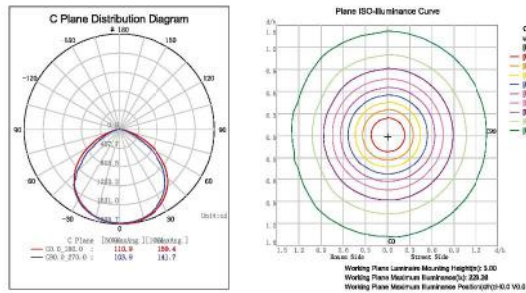


1036C



Light Distribution Curve

1036B 60W



26	Inlet Wire Protective Ring	Ø16*10mm	Silicone	1
25	Set Screw	M8*20mm	Stainless Steel	2
24	Socket Head Screw	M8*16mm	Stainless Steel	2
23	Socket Head Screw	M6*12mm	Stainless Steel	2
22	Bend Pipe Sealing Strip		Silicone	1
21	Bend Pipe Sealing Ring		Silicone	1
20	Driver	HLG-60H-36A		1
19	Bearing Cover		ADC12	1
18	Column Sleeve		ADC12	1
17	Machine Screw	M4*10mm	PC	28
16	Fanned PC Cover		PC	2
15	Fanned Silicone Seal		Silicone	2
14	Tapping Screw	M4*6mm	Stainless Steel	22
13	MCPCB	T=1.5mm	ADC12	2
12	Machine Screw	M5*8mm	Stainless Steel	2
11	Aluminium Roof		ADC12	1
10	ouble Aluminium Modular plate	220mm	ADC12	1
9	Grand	M14*1	ADC12	2
8	Double Aluminium Modular	220mm	ADC12	1
7	Socket Head Screw	M8*12mm	Stainless Steel	4
6	Socket Head Screw	M8*18mm	Stainless Steel	4
5	Light Body		ADC12	2
4	Heat Sink Cover		ADC12	2
3	Heat Sink Right Cover Plate		ADC12	2
2	Heat Sink Left Cover Plate		ADC12	2
1	Socket Head Screw	M8*12mm	Stainless Steel	16
ITEM	DESCRIPTION	SPECIFICATION	MAIERIAL	QTY.

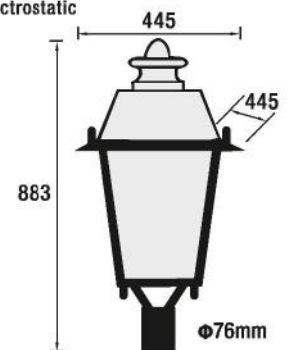
Led Garend Light

G018B



Cree/Philips Lumiled 3030 Led + Inventronics driver

- Used in high strength aluminum die casting material, surface anit-ageing electrostatic spray processing, super resistance to corrosion.
- High transparent tempered glass cover, high strength impact resistance.
- Input Voltage: AC100-240V, 50/60Hz, IP66, IK08
- Different type lens for choice
- Windy area : 815 cm²
- Spare parts for choice
- 10 kv/20kv SPD
- 0-10v dimming driver
- 5 years warranty

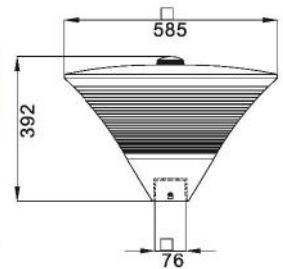
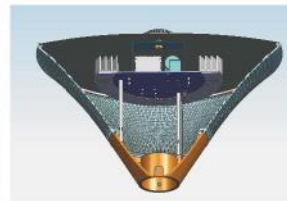
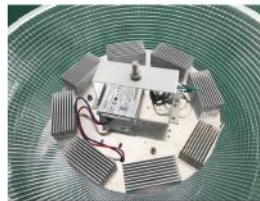


Specification

Product Code	G018B 30W	G018B 60W
Electric Current (mA)	430mA	467mA
LED Quantity	24pcs Cree XTE	48pcs Cree XTE
Rated Power	30W	60W
Color Temperature	6500/4000/3000K	6500/4000/3000K
Luminous Flux	3000lm/6500K	3000lm/6500K
Input Voltage	AC100-240V	AC100-240V
Frequency Range	50/60Hz	50/60Hz
CRI	RA75	RA75
Temperature of working condition	-40℃ - 50℃	-40℃ - 50℃
humidity of working condition	20%-90%	20%-90%
LED life time	70000h	70000h
Protection Grade	IP66	IP66
Installation Height	3-4m	5-6m
Net Weight	7kgs	7.5kgs
Gross Weight	8.5kgs	9kgs
Product Size	445*445*883mm	445*445*883mm
Packing Size	455X455X800mm	455X455X800mm

Led Garend Light

G008



Philips Lumiled 3030 Led + Inventronics driver

- Used in high strength aluminum die casting material, surface anit-ageing electrostatic spray processing, super resistance to corrosion.
- PC diffuser Input Voltage: AC110-277V, 50/60Hz, IP66, Ik08
- Different type lens for choice
- Windy area : 810cm²
- Spare parts for choice
 - 10 kv/20kv SPD
 - 0-10v dimming driver
- 5 years warranty

Specification

Product Code	G008
LED Quantity	96pcs
Rated Power	60w
Color Temperature	6500/4000/3000K
Luminous Flux	100LM/W
PF	0.92
Installation Pipe Dia	Φ76mm
Installation Height	4-5m
Net Weight	5.7 Kg
Gross Weight	6 Kg
Product Size	Φ585*392mm
Packing Size	Φ610*410mm



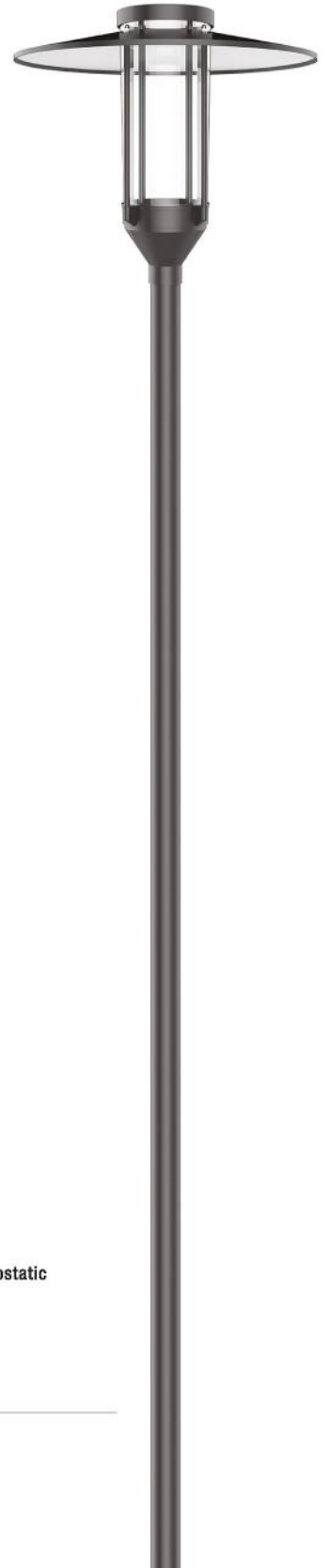
Multi-Tech LED Light



Led Garden Light

G016

Philips Lumiled 3030 Led



Inventronics driver

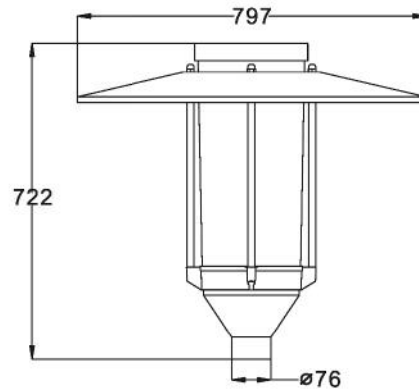
- Modern fashion design of appearance, made the light become an artwork, integrated with the environment perfectly, to make it as a top project.
- Main material used in high strength aluminum die casting material, surface anit-ageing electrostatic spray processing, super resistance to corrosion.
- PC diffuser, high strength impact resistance.
- Input Voltage: AC110-277V, 50/60Hz, IP66, IK08

Specification

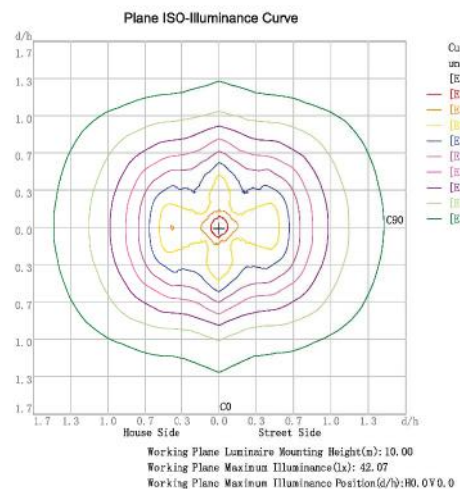
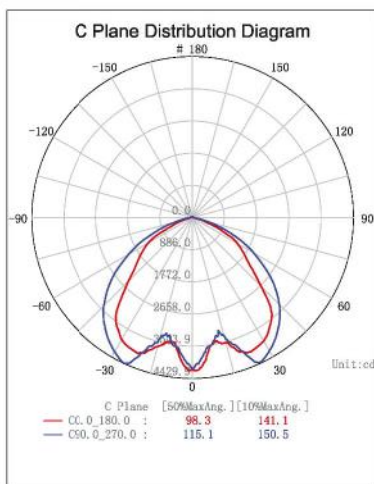
Product Code	G016-30W	G016-60W
Rate Power	30W	60W
Luminors Flux	90 lum/W	90 lum/W
LED	3030	3030
Installation pipedia	Ø76	Ø76
Protection Grade	IP65	IP65
Color Temperature	3000K / 4000K	3000K / 4000K
Product Size	722*797*797mm	722*797*797mm

Packing size is outer size of box
 All parameters are measured at 25°C ambient temperature, 35% humidity experimental environment.

Product Dimension



Light Distribution Curve



AC100-277V Input Voltage	Hz 50/60 Frequency Range	PF >0.92 Power Factor	<15% THD	CRI 75 Color Rendering Index	-40~45°C Temperature of Working Condition	10~90% Humidity of Working Condition	70000h Life Time	IP66 Protection Grade
-----------------------------	--------------------------------	-----------------------------	-------------	------------------------------------	--	---	---------------------	--------------------------



Multi-Tech LED Light

LED Street Light 1058

Medium size

Small size

Philip Lumiled 3030 Led + Inventronics driver

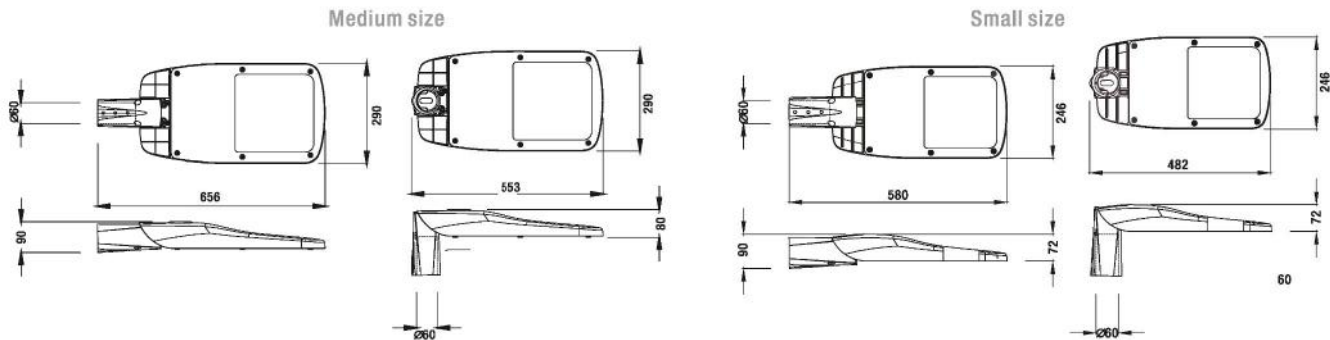
- High strength aluminum die casting material, surface anit-ageing electrostatic spray processing, super resistance to corrosion.
- Glass cover, high strength impact resistance.
- Input Voltage: AC100-240V, 50/60Hz, IP66, Ik08
- Bracket: 60mm
- Insulation class II | two options
- Spare parts for choice
 - 10 kv/20kv SPD
 - 0-10v dimming driver
 - Nema socket

Specification

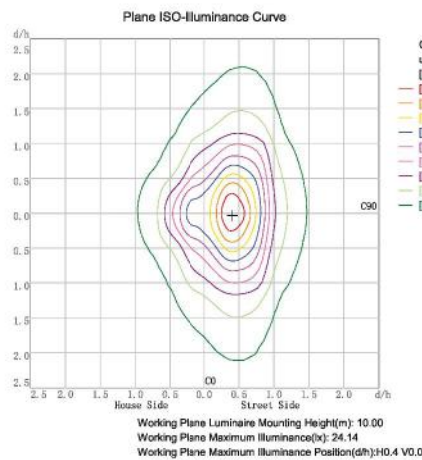
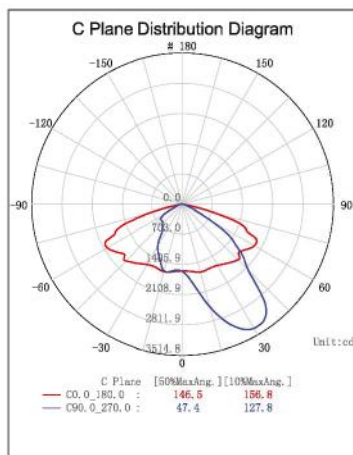
Product Code	1058A	1058B	1058C	1058D	1053 E	1058F
Electric Current(mA)	1050mA	1050mA	1300mA	1800mA	1400mA	1900mA
LED Quantity	16pcs CREE XTE	24pcs CREE XTE	36pcs CREE XTE	40pcs CREE XTE	48pcs CREE XTE	64pcs CREE XTE
Rated Power	30W	40W	50W	60W	70W	100W
Color Temperature	6500/4000K/3000K	6500/4000K/3000K	6500/4000K/3000K	6500/4000K/3000K	6500/4000K/3000K	6500/4000K/3000K
Luminous Flux	130Lum/W	130Lum/W	130Lum/W	130Lum/W	130Lum/W	130Lum/W
Input Voltage	AC100-240V	AC100-240V	AC100-240V	AC100-240V	AC100-240V	AC100-240V
Frequency Range	50/60Hz	50/60Hz	50/60Hz	50/60Hz	50/60Hz	50/60Hz
CRI	RA75	RA75	RA75	RA75	RA75	RA75
Temperature of working condition	-40°C — 50°C	-40°C — 50°C	-40°C — 50°C	-40°C — 50°C	-40°C — 50°C	-40°C — 50°C
Humidity of working condition	20%-90%	20%-90%	20%-90%	20%-90%	20%-90%	20%-90%
LED life time	70000h	70000h	70000h	70000h	70000h	70000h
Protection Grade	IP66	IP66	IP66	IP66	IP66	IP66
Installation Pipe Dia	Φ60mm	Φ60mm	Φ60mm	Φ60mm	Φ60mm	Φ60mm
Installation Height	3-5m	4-6m	5-7m	7-8m	9-10m	10-11m
Net Weight	4 Kg	4.5 Kg	5 Kg	7 Kg	8 Kg	9 Kg
Gross Weight	5 Kg	5.5Kg	6 Kg	8 Kg	9 Kg	10 Kg
Product Size	580*246*90mm	580*246*90mm	580*246*90mm	656*290*90mm	656*290*90mm	656*290*90mm
Packing Size	600*270*120mm	600*270*120mm	600*270*120mm	680*310*120mm	680*310*120mm	680*310*120mm

Packing size is outer size of box
All parameters are measured at 25°C ambient temperature, 35% humidity experimental environment.

Product Dimension



Light Distribution Curve



AC100-277V Input Voltage	Hz 50/60 Frequency Range	PF >0.92 Power Factor	<15% THD	CRI 75 Color Rendering Index	-40~45°C Temperature of Working Condition	10~90% Humidity of Working Condition	70000h Life Time	IP66 Protection Grade
-----------------------------	--------------------------------	-----------------------------	-------------	------------------------------------	--	---	---------------------	--------------------------



Multi-Tech LED Light

Led Street Light

1053

Medium size



Small size



Cree/Philips Lumiled 3030 Led,
two options + Inventronics driver

- Modern fashion design of appearance, made the light become an artwork, Integrated with the environment perfectly, to make it as top project.
- Used in high strength aluminum die casting material, surface anit-ageing electrostatic spray processing, super resistance to corrosion.
- High transparent Tempered glass
- Input Voltage: AC100-240V, 50/60Hz, IP66, IK09
- Horizontal installation : +10° -10° adjustable
Vertical installation : +10° -10° adjustable
- Different types lens for choice
- Windy area : small size : 305 cm²
medium size : 450 cm²
- Spare parts for choice
10 kv/20kv SPD
0-10v dimming driver
auto switch
Nema socket
- 5 years warranty

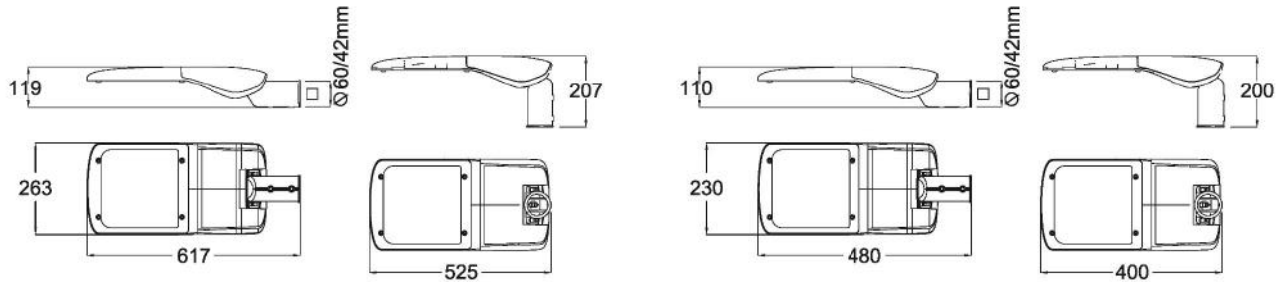
Specification

Product Code	1053A	1053B	1053C	1053D	1053E	1053F
LED Current (mA)	525mA	525mA	400mA	450mA	467mA	475mA
LED Quantity	16pcs CREE XTE	24pcs CREE XTE	36pcs CREE XTE	40pcs CREE XTE	48pcs CREE XTE	64pcs CREE XTE
Rated Power	30W	40W	50W	60W	70W	100W
Color Temperature	6500/4000/3000K	6500/4000/3000K	6500/4000/3000K	6500/4000/3000K	6500/4000/3000K	6500/4000/3000K
Luminous Flux	130LUM/W	130LUM/W	130LUM/W	130LUM/W	130LUM/W	130LUM/W
Input Voltage	AC100-240V	AC100-240V	AC100-240V	AC100-240V	AC100-240V	AC100-240V
Frequency Range	50/60Hz	50/60Hz	50/60Hz	50/60Hz	50/60Hz	50/60Hz
CRI	RA75	RA75	RA75	RA75	RA75	RA75
Temperature of working condition	-40℃ - 50℃	-40℃ - 50℃	-40℃ - 50℃	-40℃ - 50℃	-40℃ - 50℃	-40℃ - 50℃
humidity of working condition	20%-90%	20%-90%	20%-90%	20%-90%	20%-90%	20%-90%
LED life time	70000h	70000h	70000h	70000h	70000h	70000h
Protection Grade	IP66	IP66	IP66	IP66	IP66	IP66
Installation Pipe Dia	Φ60mm/ Φ42mm	Φ60mm/ Φ42mm	Φ60mm/ Φ42mm	Φ60mm/ Φ42mm	Φ60mm/ Φ42mm	Φ60mm/ Φ42mm
Installation Height	3-4m	4-5m	5-6m	5-6m	7-8m	8-9m
Net Weight	6.4kg	6.5kg	6.8kg	10kg	10.5kg	11kg
Gross Weight	7.4kg	7.5kg	7.8kg	11kg	11.5kg	12kg
Product Size	525x230x110mm	525x230x110mm	525x230x110mm	617*263*119mm	617*263*119mm	617*263*119mm
Packing Size	635*285*172mm	635*285*172mm	635*285*172mm	685*320*180mm	685*320*180mm	685*320*180mm

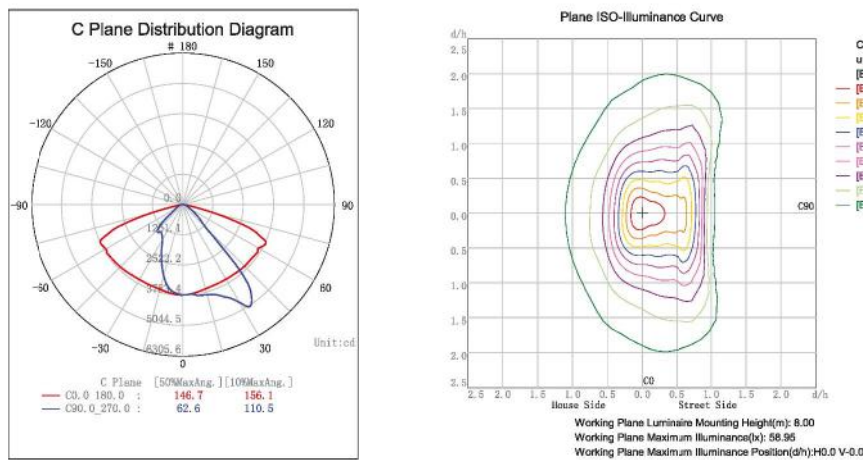
LED PHILIP LUXEO NO 3030 FOR CHOICE

Packing size is outer size of box
All parameters are measured at 25℃ ambient temperature, 35% humidity experimental environment.

Product Dimension



Light Distribution Curve



AC100-277V Input Voltage	Hz 50/60 Frequency Range	PF >0.92 Power Factor	<15% THD	CRI 75 Color Rendering Index	-40~45℃ Temperature of Working Condition	10~90% Humidity of Working Condition	70000h Life Time	IP66 Protection Grade
-----------------------------	--------------------------------	-----------------------------	-------------	------------------------------------	---	---	---------------------	--------------------------



Multi-Tech LED Light

Led Street Light

1052



Philips Lumiled 3030Led + Inventronics driver

- Aluminum die casting material, surface anit-ageing electrostatic spray processing, super resistance to corrosion.
- PMMA len cover, no glass
- Input Voltage: AC100-240V, 50/60Hz, IP66, Ik08
- Windy area : 115 cm²
- Stainless steel screws
- 5 years warranty

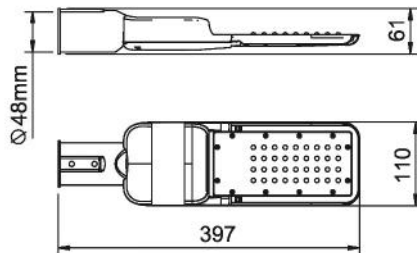


Specification

Product Code	1052A	1052B	1052C
Driver Current (mA)	400mA	600mA	700mA
LED Current (mA)	80mA	120mA	140mA
LED Quantity	PHILIP LUXEON 40pcs	PHILIP LUXEON 40pcs	PHILIP LUXEON 40pcs
Rated Power	20W	30W	40W
Color Temperature	6500/4000/3000K	6500/4000/3000K	6500/4000/3000K
Luminous Flux	2600lm/4000K	4000lm/4000K	5200lm/4000K
Input Voltage	AC100-240V	AC100-240V	AC100-240V
Frequency Range	50/60Hz	50/60Hz	50/60Hz
CRI	Ra75	RA75	RA75
Temperature of working condition	-40°C - 50°C	-40°C - 50°C	-40°C - 50°C
humidity of working condition	20%-90%	20%-90%	20%-90%
LED life time	70000h	70000h	70000h
Protection Grade	IP66	IP66	IP66
Installation Pipe Dia	Φ48mm	Φ48mm	Φ48mm
Installation Height	3-4m	4-5m	5-6m
Net Weight	1.3kgs	1.3kgs	1.3kgs
Gross Weight	2kgs	2kgs	2kgs
Product Size	397*110*61mm	397*110*61mm	397*110*61mm
Packing Size	420*125*80mm	420*125*80mm	420*125*80mm

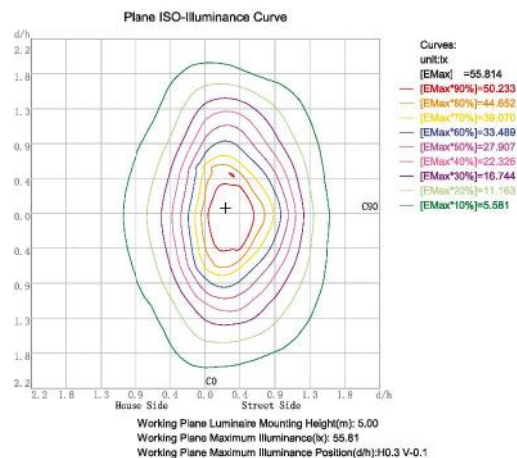
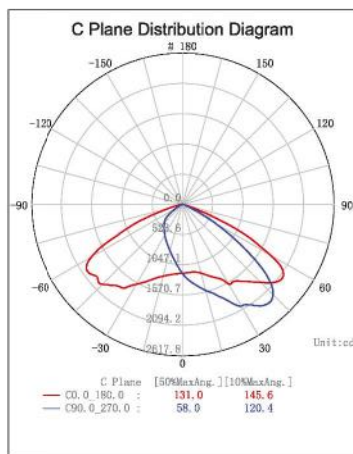
Packing size is outer size of box
All parameters are measured at 40°C ambient temperature, 35% humidity experimental environment.

Product Dimension



Light Distribution Curve

40w



AC100-277V Input Voltage	Hz 50/60 Frequency Range	PF >0.92 Power Factor	<15% THD	CRI 75 Color Rendering Index	-40~45°C Temperature of Working Condition	10~90% Humidity of Working Condition	70000h Life Time	IP66 Protection Grade
-----------------------------	--------------------------------	-----------------------------	-------------	------------------------------------	--	---	---------------------	--------------------------



Multi-Tech LED Light

Led Street light

1051A



LG or Sumsung led modules

- Modern fashion design of appearance, made the light become an artwork, Integrated with the environment perfectly, to made is as top project.
- Aluminum die casting material, surface anit-ageing electrostatic spray processing, super resistance to corrosion.
- Len cover, high strength impact resistance.
- Input Voltage: AC100-240V, 50/60Hz, IP66, Ik08
- Horizontal installation: +10° ~ -10° adjustable
- Vertical installation: +10° ~ -10° adjustable
- Windy area : 375 cm²
- Spare parts for choice
 - 10 kv/20kv SPD
 - 0-10v dimming driver
 - auto switch
 - Nema socket
- 5 years warranty

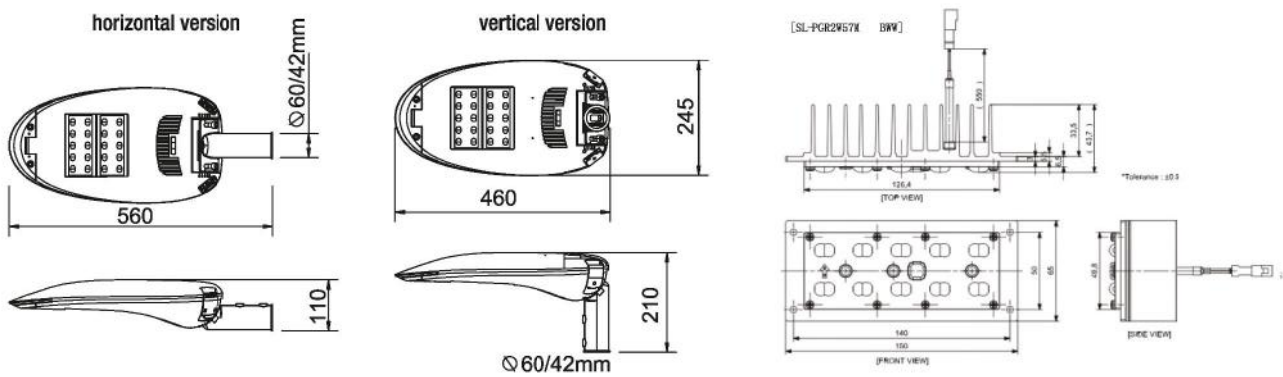


Specification

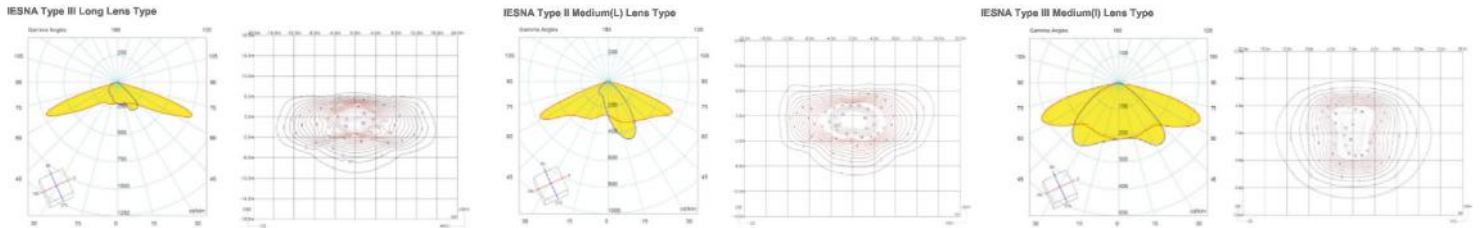
Product Code	1051A
LED Current (mA)	700mA
LED Quantity	Samsung/LG LED modules
Rated Power	50W
Color Temperature	6500/4000/3000K
Luminous Flux	6500lm/4000K
Input Voltage	AC100-240V
Frequency Range	50/60Hz
CRI	RA75
Temperature of working condition	-40°C - 50°C
humidity of working condition	20%-90%
LED life time	70000h
Protection Grade	IP66
Installation Pipe Dia	Φ60mm/ Φ42mm
Installation Height	5-7m
Net Weight	3kgs
Gross Weight	4kgs
Product Size	560*245*110mm
Packing Size	610*280*155mm

Packing size is outer size of box
 All parameters are measured at 25°C ambient temperature, 35% humidity experimental environment.

Product Dimension



Light Distribution Curve



AC100-277V Input Voltage	Hz 50/60 Frequency Range	PF >0.92 Power Factor	<15% THD	CRI 75 Color Rendering Index	-40-45°C Temperature of Working Condition	10~90% Humidity of Working Condition	50000h Life Time	IP66 Protection Grade
-----------------------------	--------------------------------	-----------------------------	-------------	------------------------------------	--	---	---------------------	--------------------------



Multi-Tech LED Light



Led Street Light 1051B



Cree Led/Philip Lumiled 3030 Led two options+ Inventronics driver

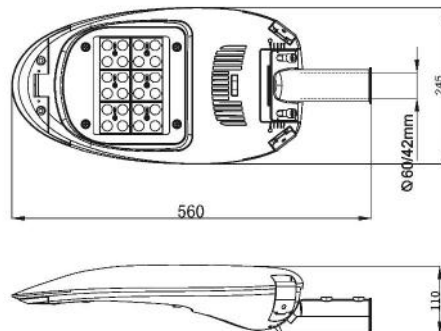
- Modern fashion design of appearance, made the light become an artwork, Integrated with the environment perfectly, to made is as top project.
- Aluminum die casting material, surface anti-ageing electrostatic spray processing, super resistance to corrosion.
- High transparent Tempered glass
- Input Voltage: AC100-240V, 50/60Hz, IP66, Ik08
- Horizontal installation: +10° ~ -10° adjustable
- Vertical installation: +10° ~ -10° adjustable
- Windy area : 375 cm²
- Spare parts for choice
 - 10 kv/20kv SPD
 - 0-10v dimming driver
 - auto switch
 - Nema socket
- 5 years warranty

Specification

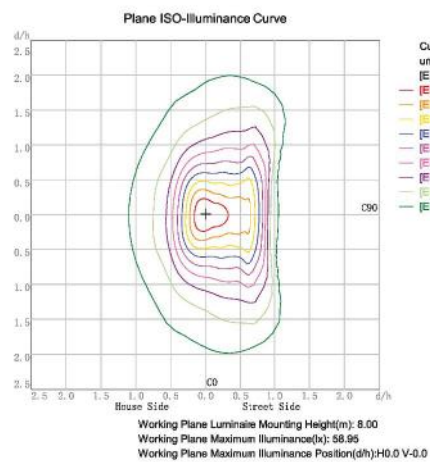
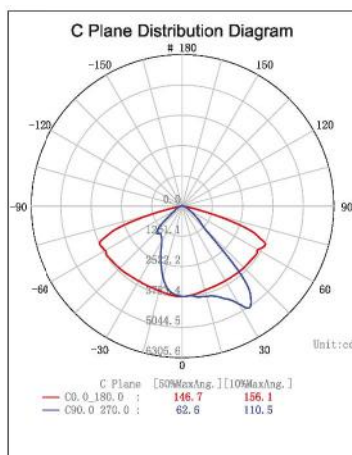
Product Code	1051B 30W	1051B 60W
LED Current (mA)	525mA	750mA
LED Quantity	CREE	CREE
Rated Power	30W	60W
Color Temperature	6500/4000/3000K	6500/4000/3000K
Luminous Flux	3500lm/4000K	7200lm/4000K
Input Voltage	AC100-240V	AC100-240V
Frequency Range	50/60Hz	50/60Hz
CRI	RA75	RA75
Temperature of working condition	-40°C - 50°C	-40°C - 50°C
humidity of working condition	20%-90%	20%-90%
LED life time	70000h	70000h
Protection Grade	IP66	IP66
Installation Pipe Dia	Φ60mm/ Φ42mm	Φ60mm/ Φ42mm
Installation Height	3-5m	5-7m
Net Weight	3kgs	3kgs
Gross Weight	4kgs	4kgs
Product Size	560*245*110mm	560*245*110mm
Packing Size	610*280*155mm	610*280*155mm

Packing size is outer size of box
 All parameters are measured at 25°C ambient temperature, 35% humidity experimental environment.

Product Dimension



Light Distribution Curve



- Curves:
- Unit:lx
 - [E]Max =59.948
 - [E]Max*90%=53.053
 - [E]Max*80%=47.158
 - [E]Max*70%=41.283
 - [E]Max*60%=35.369
 - [E]Max*50%=29.474
 - [E]Max*40%=23.579
 - [E]Max*30%=17.684
 - [E]Max*20%=11.790
 - [E]Max*10%=5.896

AC100-277V Input Voltage	Hz 50/60 Frequency Range	PF >0.92 Power Factor	<15% THD	CRI 75 Color Rendering Index	-40-45°C Temperature of Working Condition	10~90% Humidity of Working Condition	50000h Life Time	IP66 Protection Grade
-----------------------------	--------------------------------	-----------------------------	-------------	------------------------------------	--	---	---------------------	--------------------------



Multi-Tech LED Light

Led Street Light 1047

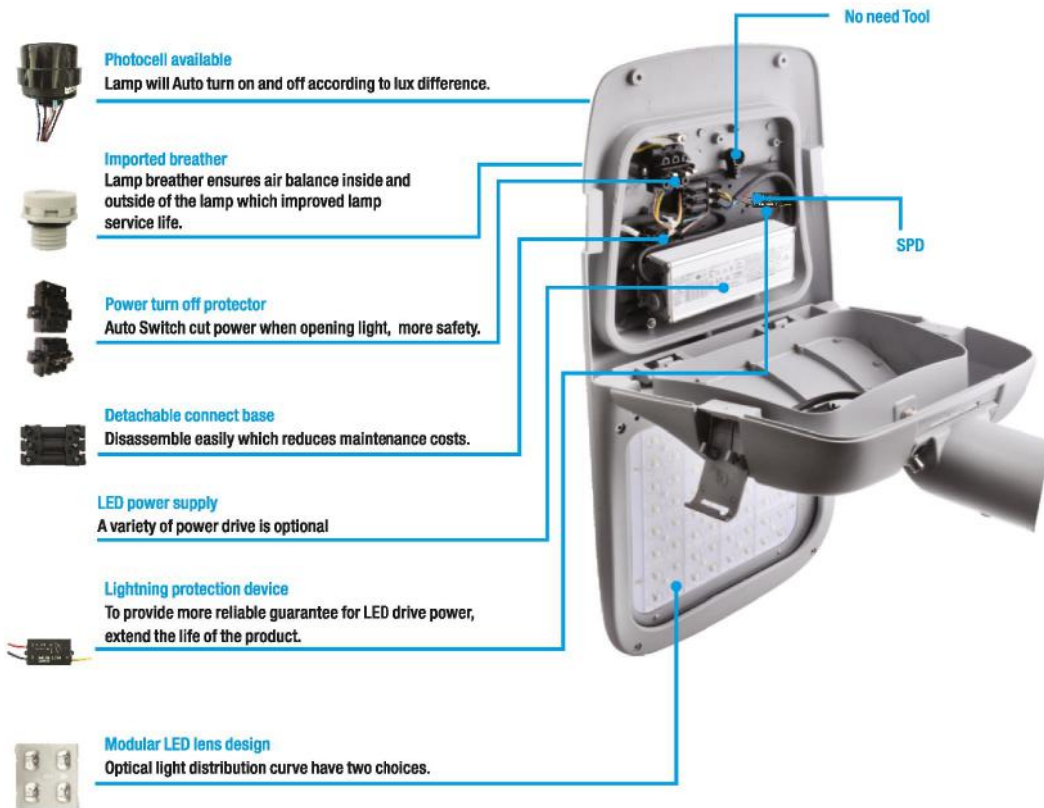
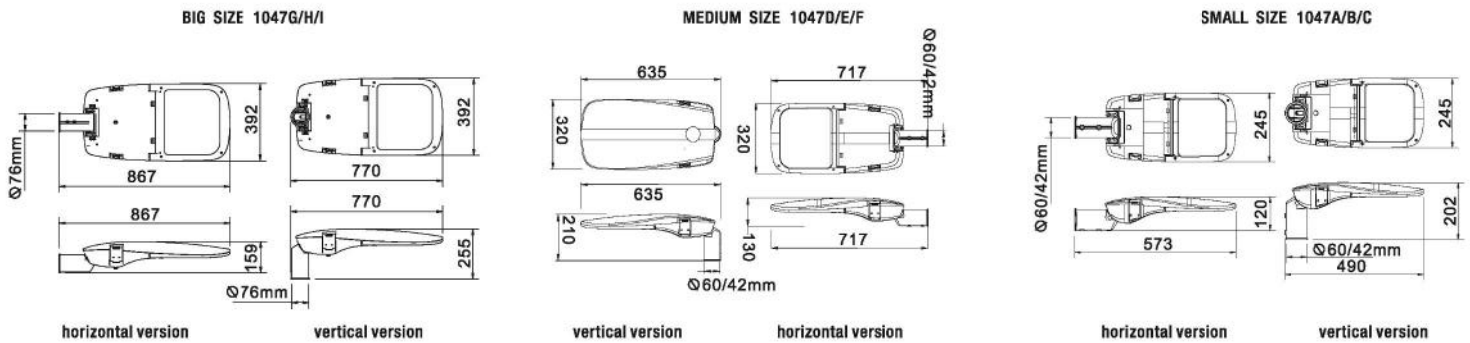


Cree/Philips Lumiled 3030 led + Inventronics

- Modern fashion design of appearance, made the light become an artwork, Integrated with the environment perfectly, to make it as top project.
- Used in high strength aluminum die casting material, surface anit-ageing electrostatic spray processing, super resistance to corrosion.
- Hight transparent Tempered glass
- Input Voltage: AC100-240V, 50/60Hz, IP66, IK09
- Horizontal installation : +10~ -10° adjustable
- Vertical installation : +10~ -10° adjustable
- Different types lens for choice
- Windy area : small size : 345 cm²
medium size : 503 cm²
big size : 748 cm²
- Spare parts for choice
 - 10 kv/20kv SPD
 - 0-10v dimming driver
 - auto switch
 - Nema socket
- 5 years warranty



Product Code	1047A	1047B	1047C	1047D	1047E	1047F	1047G	1047H	1047I
LED Current (mA)	525mA	525mA	400mA	450mA	467mA	475mA	480mA	525mA	650mA
LED Quantity	16pcs CREE XTE	24pcs CREE XTE	36pcs CREE XTE	40pcs CREE XTE	48pcs CREE XTE	64pcs CREE XTE	80pcs CREE XTE	88pcs CREE XTE	96pcs CREE XTE
Rated Power	30W	40W	50W	60W	70W	100W	120W	150W	200W
Color Temperature	6500/4000/3000K	6500/4000/3000K	6500/4000/3000K	6500/4000/3000K	6500/4000/3000K	6500/4000/3000K	6500/4000/3000K	6500/4000/3000K	6500/4000/3000K
Luminous Flux	120LUM/W	120LUM/W	120LUM/W	120LUM/W	120LUM/W	120LUM/W	120LUM/W	120LUM/W	120LUM/W
Input Voltage	AC100-240V	AC100-240V	AC100-240V	AC100-240V	AC100-240V	AC100-240V	AC100-240V	AC100-240V	AC100-240V
Frequency Range	50/60Hz	50/60Hz	50/60Hz	50/60Hz	50/60Hz	50/60Hz	50/60Hz	50/60Hz	50/60Hz
CRI	RA75	RA75	RA75	RA75	RA75	RA75	RA75	RA75	RA75
Temperature of working condition	-40°C - 50°C	-40°C - 50°C	-40°C - 50°C	-40°C - 50°C	-40°C - 50°C	-40°C - 50°C	-40°C - 50°C	-40°C - 50°C	-40°C - 50°C
humidity of working condition	20%-90%	20%-90%	20%-90%	20%-90%	20%-90%	20%-90%	20%-90%	20%-90%	20%-90%
LED life time	70000h	70000h	70000h	70000h	70000h	70000h	70000h	70000h	70000h
Protection Grade	IP66	IP66	IP66	IP66	IP66	IP66	IP66	IP66	IP66
Installation Pipe Dia	Φ60mm/ Φ42mm	Φ60mm/ Φ42mm	Φ60mm/ Φ42mm	Φ60mm/ Φ42mm	Φ60mm/ Φ42mm	Φ60mm/ Φ42mm	Φ76mm	Φ76mm	Φ76mm
Installation Height	3-4m	4-5m	5-6m	5-6m	7-8m	8-9m	9-10m	10-11m	11-12m
Net Weight	6.4kg	6.5kg	6.8kg	10kg	10.5kg	11kg	11.4kg	11.8kg	12kg
Gross Weight	7.4kg	7.5kg	7.8kg	11kg	11.5kg	12kg	12.4kg	12.8kg	13kg
Product Size	573x245x120mm	573x245x120mm	573x245x120mm	717*320*130mm	717*320*130mm	717*320*130mm	867*392*159mm	867*392*159mm	867*392*159mm
Packing Size	635*285*170mm	635*285*170mm	635*285*170mm	770*365*165mm	770*365*165mm	770*365*165mm	900*430*210mm	900*430*210mm	900*430*210mm



Detachable light fixture, Vertical and horizontal installation both are ok.



Free tool maintenance



Multi-Tech LED Light

Led Street Light



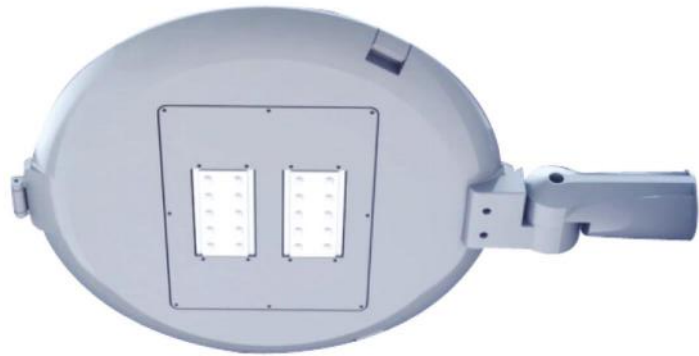
1043A

Cree Led/Philip Lumled 3030 Led



1043B

Korea Led Modules



Inventronics driver

- Modern fashion design of appearance, made the light become an artwork, Integrated with the environment perfectly, to made is as top project.
- Used in high strength aluminum die casting material, surface anit-ageing electrostatic spray processing, super resistance to corrosion.
- High transparent tempered glass cover, high strength impact resistance.
- Input Voltage: AC100-240V, 50/60Hz, IP66, Ik09
- Horizontal version angle adjustable : +15° ~ -15°
- Vertical version andle adjustable : +15° ~ -15°

Different type lens for choice

Windy area : 570 cm²

- Spare parts for choice
 - 10 kv/20kv SPD
 - 0-10v dimming driver
 - auto switch
- 5 years warranty

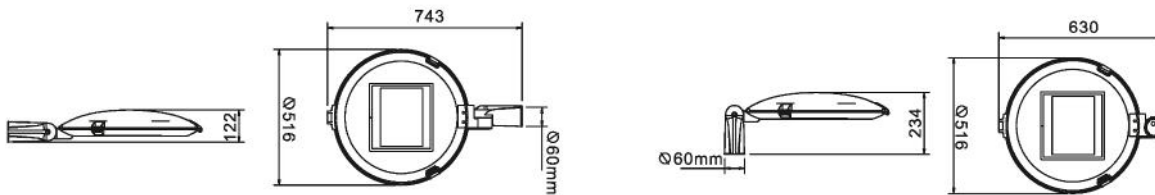
Specification

Product Code	1043A 30W	1043A 60W	1043A 100W
Electric Current (mA)	430mA	467mA	475mA
LED Quantity	24pcs Cree XTE	48pcs Cree XTE	64pcs Cree XTE
Rated Power	30W	60W	100W
Color Temperature	6500/4000/3000K	6500/4000/3000K	6500/4000/3000K
Luminous Flux	3000lm/4000K	6000lm/4000K	6000lm/4000K
Input Voltage	AC100-240V	AC100-240V	AC100-240V
Frequency Range	50/60Hz	50/60Hz	50/60Hz
CRI	RA75	RA75	RA75
Temperature of working condition	-40°C - 50°C	-40°C - 50°C	-40°C - 50°C
humidity of working condition	20%-90%	20%-90%	20%-90%
LED life time	70000h	70000h	70000h
Protection Grade	IP66	IP66	IP66
Installation Pipe Dia	Φ60mm	Φ60mm	Φ76mm
Installation Height	3-5m	6-8m	7-9m
Net Weight	7.35kgs	7.82kgs	8.5kgs
Gross Weight	8.53kgs	9.02kgs	10kgs
Product Size	743*516*122mm	743*516*122mm	743*516*122mm
Packing Size	655*590*165mm	655*590*165mm	655*590*165mm

Packing size is outer size of box
All parameters are measured at 25°C ambient temperature, 35% humidity experimental environment.

Product Dimension

horizontal version : 15° ~ -15°



Light Distribution Curve

1043B

Product Code	1043B 50W	1043B 75W	1043B 100W
LED Current (mA)	700mA	700mA	700mA
LED Quantity	2PC Samsung/LG LED modules	3PC Samsung/LG LED modules	4PC Samsung/LG LED modules
Rated Power	50W	75W	100W
Color Temperature	6500/4000/3000K	6500/4000/3000K	6500/4000/3000K
Luminous Flux	6500lm/4000K	6500lm/4000K	6500lm/4000K
Input Voltage	AC100-240V	AC100-240V	AC100-240V
Frequency Range	50/60Hz	50/60Hz	50/60Hz
CRI	RA75	RA75	RA75
Temperature of working condition	-40°C - 50°C	-40°C - 50°C	-40°C - 50°C
humidity of working condition	20%-90%	20%-90%	20%-90%
LED life time	70000h	70000h	70000h
Protection Grade	IP66	IP66	IP66
Installation Pipe Dia	Φ60mm	Φ60mm	Φ60mm
Installation Height	5-7m	6-8m	9-10m
Net Weight	7kgs	7.35kgs	7.82kgs
Gross Weight	8kgs	8.53kgs	9.02kgs
Product Size	743*516*122mm	743*516*122mm	743*516*122mm
Packing Size	655*590*165mm	655*590*165mm	655*590*165mm

AC100-277V Input Voltage	Hz 50/60 Frequency Range	PF >0.92 Power Factor	<15% THD	CRI 75 Color Rendering Index	-40-45°C Temperature of Working Condition	10~90% Humidity of Working Condition	70000h Life Time	IP66 Protection Grade
-----------------------------	--------------------------------	-----------------------------	-------------	------------------------------------	--	---	---------------------	--------------------------



Multi-Tech LED Light



1045W

(MAX Cable dia 13mm)

Led Street Light



1045A



Cree/Philips Lumiled 3030 Led,two options
Inventronics driver

- Modern fashion design of appearance, made the light become an artwork, Integrated with the environment perfectly, to made is as top project.
- Used in high strength aluminum die casting material, surface anit-ageing electrostatic spray processing, super resistance to corrosion.
- Hightransparent tempered glass cover, high strength impact resistance.
- Input Voltage: AC100-240V, 50/60Hz, IP66, Ik08
- Angle adjustable : +15° ~ -15°
- Different type lens for choice
- Windy area : 570 cm²
- Spare parts for choice
 - 10 kv/20kv SPD
 - 0-10v dimming driver
 - auto switch
- 5 years warranty

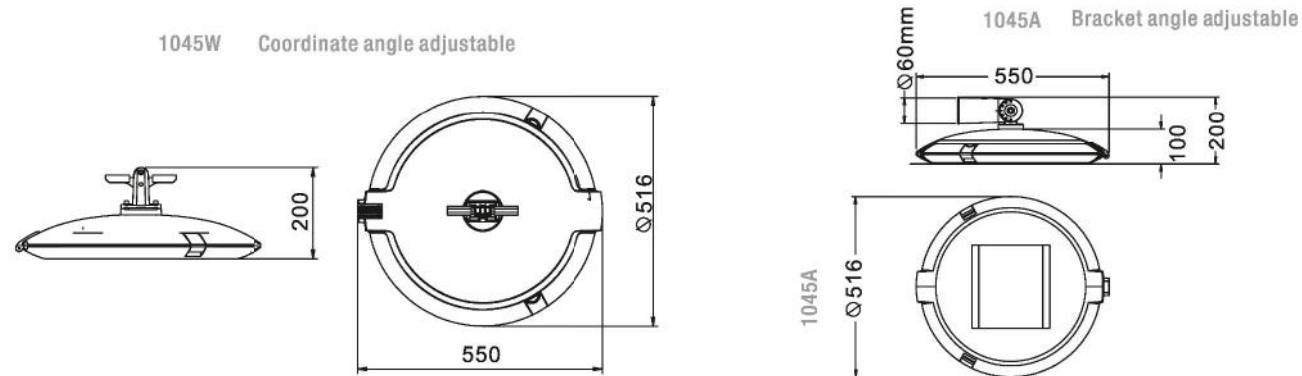


Specification

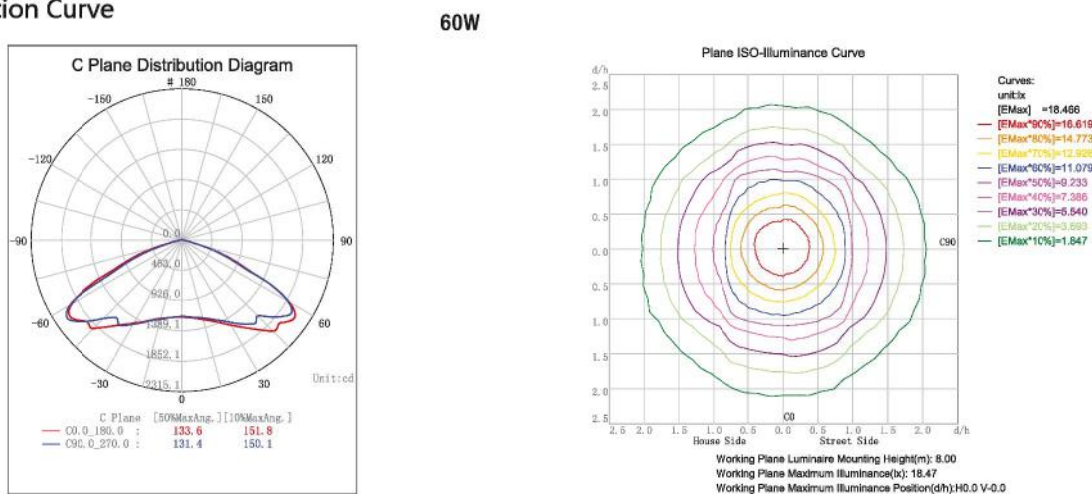
Product Code	1045A /1045W 30W	1045A/1045W 60W	1045A/1045W 100W
Electric Current (mA)	430mA	467mA	475mA
LED Quantity	24pcs Cree XTE	48pcs Cree XTE	64pcs Cree XTE
Rated Power	30W	60W	100W
Color Temperature	6500/4000/3000K	6500/4000/3000K	6500/4000/3000K
Luminous Flux	3000lm/4000K	6000lm/4000K	6000lm/4000K
Input Voltage	AC100-240V	AC100-240V	AC100-240V
Frequency Range	50/60Hz	50/60Hz	50/60Hz
CRI	RA75	RA75	RA75
Temperature of working condition	-40°C - 50°C	-40°C - 50°C	-40°C - 50°C
humidity of working condition	20%-90%	20%-90%	20%-90%
LED life time	70000h	70000h	70000h
Protection Grade	IP66	IP66	IP66
Installation Height	3-5m	5-7m	7-9m
Net Weight	7.35kgs	7.82kgs	8.5kgs
Gross Weight	8.53kgs	9.02kgs	10kgs
Product Size	550*516*204mm	550*516*204mm	550*516*500mm
Packing Size	655*590*165mm	655*590*165mm	655*590*165mm

Packing size is outer size of box
All parameters are measured at 25°C ambient temperature, 35% humidity experimental environment.

Product Dimension



Light Distribution Curve



AC100-277V Input Voltage	Hz 50/60 Frequency Range	PF >0.92 Power Factor	<15% THD	CRI 75 Color Rendering Index	-40-45°C Temperature of Working Condition	10~90% Humidity of Working Condition	70000h Life Time	IP66 Protection Grade
-----------------------------	--------------------------------	-----------------------------	-------------	------------------------------------	--	---	---------------------	--------------------------



Multi-Tech LED Light

Led Street Light 1037



Philips Lumiled 3030 Led modules + Meanwell driver

- High strength aluminum die casting material, surface anit-ageing electrostatic spray processing, super resistance to corrosion.
- Pmma lens cover.
- Input Voltage: AC100-240V, 50/60Hz, IP66, Ik08
- Horizontal installation: $+10^{\circ} \sim -10^{\circ}$
- Vertical installation: $+10^{\circ} \sim -10^{\circ}$
- LED modules: 1-4 pcs for choice
- Spare parts for choice
 - 10 kv/20kv SPD
 - 0-10v dimming driver
 - auto switch
 - Nema socket

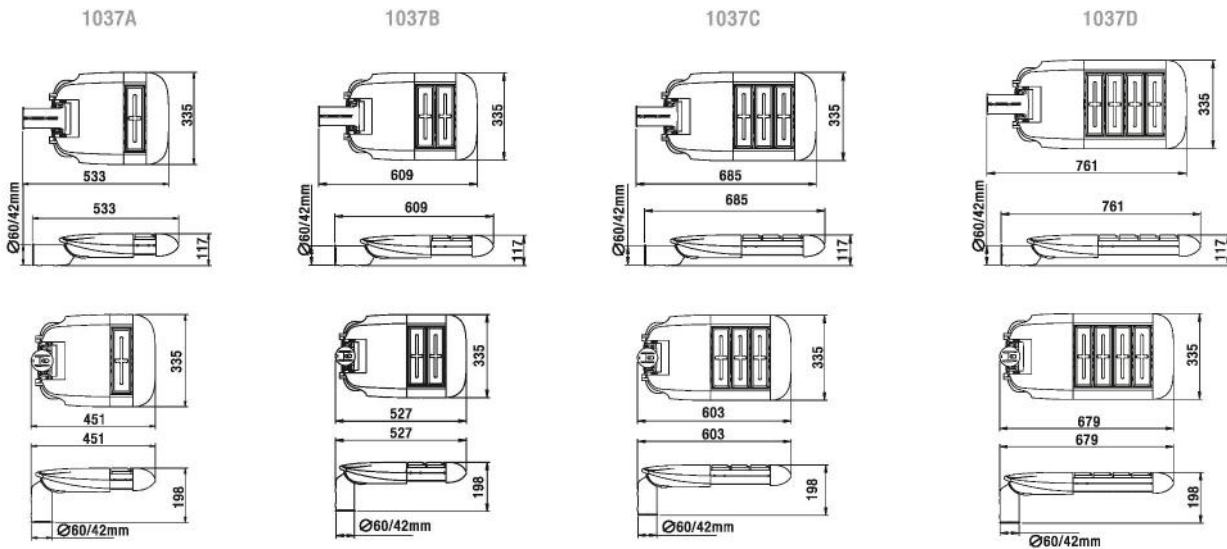


Specification

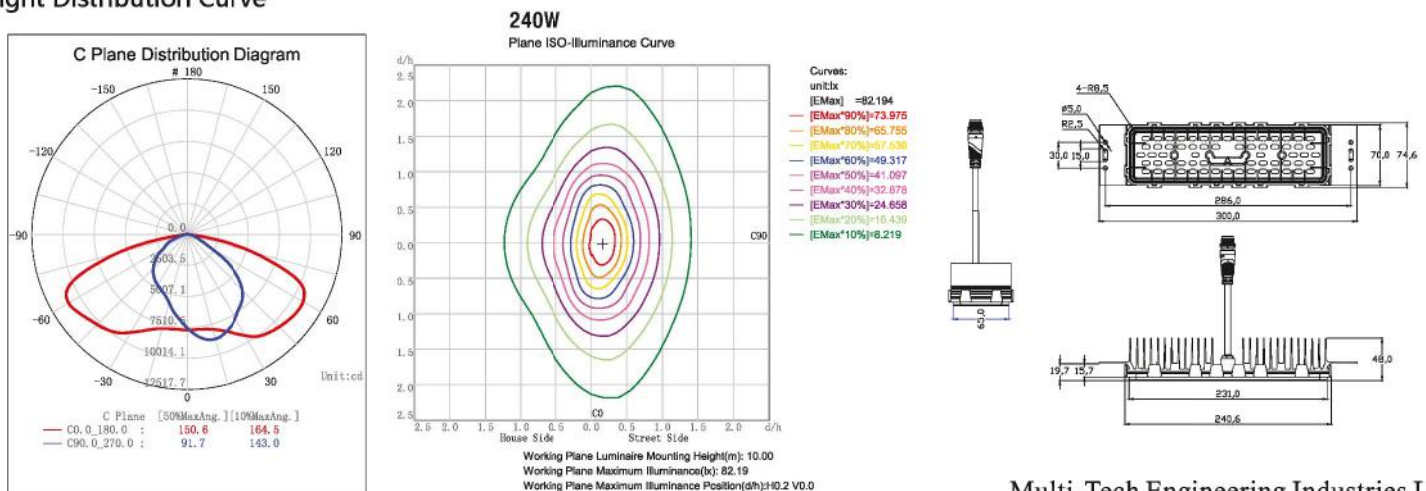
Product Code	1037A	1037 B	1037C	1037D
LED Quantity	One Module	Two Modules	Three Modules	Four Modules
Rated Power	60W	120W	180W	240W
Electric Current (mA)	150mA	150mA	150mA	150mA
Color Temperature	6500/4000/3000K	6500/4000/3000K	6500/4000/3000K	6500/4000/3000K
Luminous Flux	130LM/W	130LM/W	130LM/W	130LM/W
Input Voltage	AC100-240V	AC100-240V	AC100-240V	AC100-240V
Frequency Range	50/60Hz	50/60Hz	50/60Hz	50/60Hz
CRI	RA75	RA75	RA75	RA75
Temperature of working condition	-40°C - 50°C	-40°C - 50°C	-40°C - 50°C	-40°C - 50°C
humidity of working condition	20%-90%	20%-90%	20%-90%	20%-90%
LED life time	70000h	70000h	70000h	70000h
Protection Grade	IP66	IP66	IP66	IP66
PF	0.92	0.92	0.92	0.92
Installation Pipe Dia	Φ60mm/ Φ42mm	Φ60mm/ Φ42mm	Φ60mm/ Φ42mm	Φ60mm/ Φ42mm
Installation Height	3-6m	6-8m	7-9m	8-10m
Net Weight	5.46 Kg	6.6 Kg	7.74 Kg	8.9 Kg
Gross Weight	6.5 Kg	7.6 Kg	8.8 Kg	10.0 Kg
Product Size	533*335*115mm	609*335*115mm	685*335*115mm	761*335*115mm
Packing Size	560*360*120mm	640*360*120mm	710*360*120mm	780*360*120mm

Remark: Each Module 63pcs Philip 3030LED

Product Dimension



Light Distribution Curve





INTEGRATED SOLAR LED STREET LIGHT

Widely used in the branch road, street, and factory road, park road, rural, mountainous, farms and remote area lighting project, courtyard, schools, square and other outdoor lighting places.

Specification

Product Code	SL001A	SL001B	SL001C	SL001D	SL001E	SL001F	SL001G	SL001H
LED Quantity	42pcs 3030	42pcs 3030	84pcs 3030	84pcs 3030	126pcs 3030	126pcs 3030	126pcs 3030	126pcs 3030
Rate Power	10W	15W	20W	25W	30W	40W	50W	60W
Color	gray	gray	gray	gray	gray	gray	gray	gray
operating time	Intelligent dimming model 4-6 days	Intelligent dimming model 4-6 days	Intelligent dimming model 4-6 days	Intelligent dimming model 4-6 days	Intelligent dimming model 4-6 days	Intelligent dimming model 4-6 days	Intelligent dimming model 4-6 days	Intelligent dimming model 4-6 days
Luminous Flux	170LM/W	165LM/W	170LM/W	165LM/W	170LM/W	165LM/W	160LM/W	155LM/W
Battery capacity	6.4AH	9.6AH	12.8AH	16AH	19.2AH	25.6AH	32AH	41.6AH
Battery type	IFR Lithium iron phosphate	IFR Lithium iron phosphate	IFR Lithium iron phosphate	IFR Lithium iron phosphate	IFR Lithium iron phosphate	IFR Lithium iron phosphate	IFR Lithium iron phosphate	IFR Lithium iron phosphate
solar monocrystalline silicon panel	17.5W	17.5W	30W	30W	75W	75W	75W	75W
Angle adjustable	(-10°~90°)	(-10°~90°)	(-10°~90°)	(-10°~90°)	(-5°~90°)	(-5°~90°)	(-5°~90°)	(-5°~90°)
Installation pipe Dia	Φ60	Φ60	Φ60	Φ60	Φ60	Φ60	Φ60	Φ60
Installation height	3-4m	3-4m	4-5m	4-5m	5-6m	6-7m	6-8m	6-8m
operating temperature	(-10°~60°)	(-10°~60°)	(-10°~60°)	(-10°~60°)	(-10°~60°)	(-10°~60°)	(-10°~60°)	(-10°~60°)
Waterproof rate	IP66	IP66	IP66	IP66	IP66	IP66	IP66	IP66
Net Weight	5.6 Kg	5.9 Kg	8.5 Kg	9 Kg	14.8 Kg	15.8 Kg	16.8 Kg	17.8 Kg
Gross Weight	6.6 Kg	6.9 Kg	9.5 Kg	10 Kg	16.3 Kg	17.3 Kg	18.3 Kg	19.3 Kg
Product Size	543*281*179mm	543*281*179mm	676*373*180mm	676*373*180mm	1039*535*178mm	1039*535*178mm	1039*535*178mm	1039*535*178mm
Packing Size	620*370*240mm	620*370*240mm	760*470*240mm	760*470*240mm	1155*665*275mm	1155*665*275mm	1155*665*275mm	1155*665*275mm

Packing size is outer size of box

All parameters are measured at 25°C ambient temperature, 35% humidity experimental environment.

Multi-Tech LED Light



SL001A
 (Rate Power):10W/15W
 (Luminous Flux):170LM/W



SL001B
 (Rate Power):20W/25W
 (Luminous Flux):170LM/W



SL001C
 (Rate Power):30W/40W/50W/65W
 (Luminous Flux):170LM/W

PRODUCT FEATURES

Integrated design, easily installed, internal components replacement easy and convenient, reduce the cost.



elligent controller can fit PIR sensor or Microwave sensor, ensure the effective lighting



PIR sensor



Microwave sensor



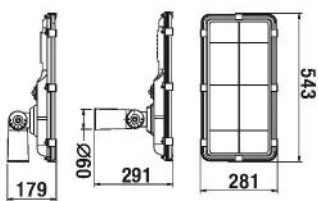
Protection grade reaches IP66



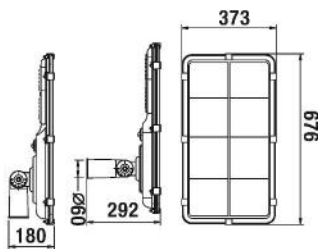
Anti-Level-17 hurricane

Product Dimension

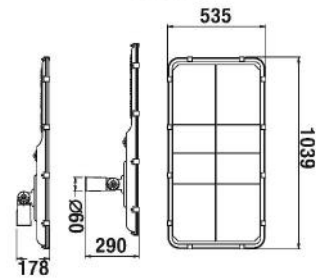
SL001A



SL001B

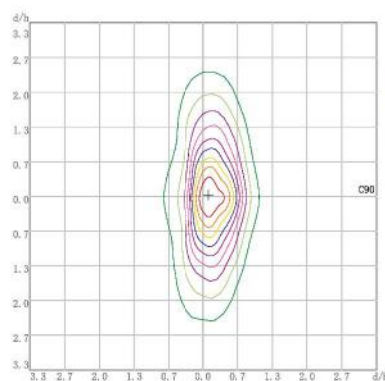
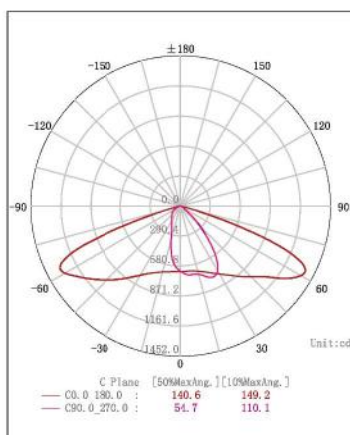


SL001C



Light Distribution Curve

SL001A 10W



Curves:
 unit:lx
 [EMax] =72.938
 [EMax*90%]=65.644
 [EMax*80%]=58.351
 [EMax*70%]=51.057
 [EMax*60%]=43.763
 [EMax*50%]=36.469
 [EMax*40%]=29.175
 [EMax*30%]=21.881
 [EMax*20%]=14.588
 [EMax*10%]=7.294



Multi-Tech LED Light

Solar Led Street Light 1052



Intelligent controller



Monocrystalline Silicon
IFR Lithium battery



LED lamp



Solar panel



Specification

wattage	12V/20W	12V/30W	12V/40W
high efficiency monocrystalline silicon	18V 50w	18V 60w	18V 60w
Lithium battery	12.8V18AH	12.8V21AH	12.8V24AH
Charge time	6 hours	6 hours	6 hours
Discharge time	10hours(full power)	10hours(full power)	10hours(full power)
Discharge time	36hours(half power)	36hours(half power)	36hours(half power)
Lumen(LM)	130lum/w	125lum/w	120lum/w
Life Time	50000 hours	50000 hours	50000 hours
Pole height	3m	3m	4m

Multi-Tech LED Light



Solar Led Street Light 1051B



Intelligent controller



Monocrystalline Silicon
IFR Lithium battery



LED lamp



Solar panel



Specification

	12V/20W	12V/30W	12V/40W	12V/50W	12V/60W
wattage	12V/20W	12V/30W	12V/40W	12V/50W	12V/60W
high efficiency monocrystalline silicon	18V 50w	18V 60w	18V 60w	18V 80w	18V 90w
Lithium battery	12.8V18AH	12.8V21AH	12.8V24AH	12.8V36AH	12.8V42AH
Charge time	6 hours	6 hours	6 hours	6 hours	6 hours
Discharge time	10hours(full power)	10hours(full power)	10hours(full power)	10hours(full power)	10hours(full power)
Discharge time	36hours(half power)	36hours(half power)	36hours(half power)	36hours(half power)	36hours(half power)
Lumen(LM)	135lum/w	130lum/w	130lum/w	130lum/w	130lum/w
Life Time	50000 hours	50000 hours	50000 hours	50000 hours	50000 hours
Pole height	3m	3m	4m	5m	6m



Multi-Tech LED Light

Solar Led Street Light 1047



Intelligent controller



Monocrystalline Silicon IFR Lithium battery



LED lamp



Solar panel



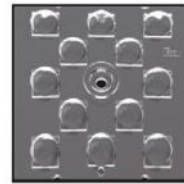
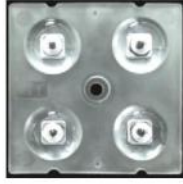
Specification

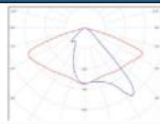


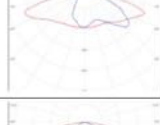





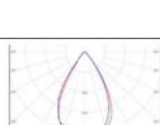
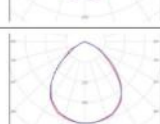
	12V/20W	12V/30W	12V/40W	12V/60W	12V/80W	30V/100W	30V/120W
wattage	12V/20W	12V/30W	12V/40W	12V/60W	12V/80W	30V/100W	30V/120W
high efficiency monocrystalline silicon	18V 50w	18V 60w	18V 60w	18V 90w	18V 110w	18V 160w	36V 170W
Lithium battery	12.8V18AH	12.8V21AH	12.8V24AH	12.8V42AH	12.8V48AH	12.8V54AH	25.6V 33AH
Charge time	6 hours	6 hours	6 hours	6 hours	6 hours	6 hours	6 hours
Discharge time	10hours(full power)	10hours(full power)	10hours(full power)	10hours(full power)	10hours(full power)	10hours(full power)	10hours(full power)
Discharge time	36hours(half power)	36hours(half power)	36hours(half power)	36hours(half power)	36hours(half power)	36hours(half power)	36hours(half power)
Lumen(LM)	135lum/w	130lum/w	130lum/w	130lum/w	130lum/w	130lum/w	130lum/w
Life Time	50000 hours	50000 hours	50000 hours	50000 hours	50000 hours	50000 hours	50000 hours
Pole height	3m	3m	4m	6m	7m	9m	10m

Multi-lens Module

4 in 1

12 in 1



Photometric TYPE	Apply series	LED TYPE	Lens Part Number	Application	Asymmetrical/Symmetrical	Asymmetrical/Symmetrical
TYPE II - S	G018B 1043A 1044A 1045A 1047-XTE 1051B-XTE 1053-XTE 1054-XTE 1058-XTE	XTE XPG	316007 (lens 4 in1)	Street Lighting	Asymmetrical	
TYPE II - S		XTE XPG	316005 (lens 4 in1)	Street Lighting	Asymmetrical	
TYPE II - M		XTE XPG	316027 (lens 4 in1)	Street Lighting	Asymmetrical	
TYPE III - S		XTE XPG	316029 (4 in1)	Street Lighting	Asymmetrical	
TYPE III - M		XTE XPG	316030 (lens 4 in1)	Street Lighting	Asymmetrical	
TYPE III - M		XTE XPG	316013 (lens 4 in1)	Street Lighting	Asymmetrical	
TYPE IV - S		XTE XPG	316026 (lens 4 in1)	Street Lighting	Asymmetrical	
TYPE V - S(120°)	G018B 1044A 1045W 1054-XTE	XTE XPG	316006 (lens 4 in1)	Street Lighting Garden Lighting	Symmetrical	
TYPE II - S	G018B 1043A 1044A 1045A 1047-3030 1051B-3030 1053-3030 1058-3030	3030	316011 (lens 12 in1)	Street Lighting	Asymmetrical	
TYPE V - S(60°)	F017-L	3030	316012 (lens 12 in1)	Flood Lighting	Symmetrical	
TYPE V - S(90°)	F017-L	3030	316021 (lens 12 in1)	Flood Lighting	Symmetrical	



Multi-Tech LED Light



Led Tunnel Light

S1037



LED Tunnel Light: Philips Lumiled 3030 Led modules + Meanwell driver

- Modern fashion design of appearance, made the light become an artwork, Integrated with the environment perfectly, to make it as a top project.
- Main material used in high strength aluminum die casting material, surface anti-ageing electrostatic spray processing, super resistance to corrosion.
- Pmma Lens cover.
- Input Voltage: AC100-240V, 50/60Hz, IP66, Ik08
- LED modules: 2-4 pcs for choices.

Specification

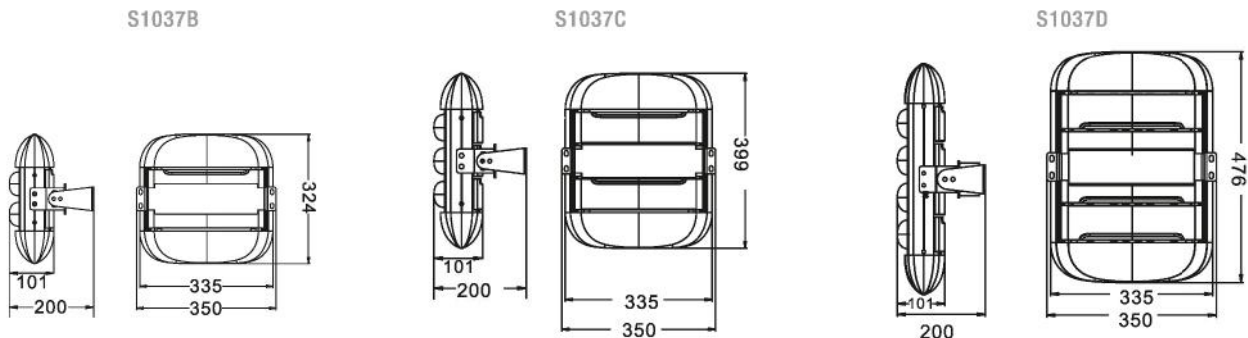
Product Code	S1037B	S1037C	1837D
LED Quantity	Two Modules	Three Modules	Four Modules
Rated Power	120W	180W	240W
Electric Current (mA)	150mA	150mA	150mA
Color Temperature	6500/4000/3000K	6500/4000/3000K	6500/4000/3000K
Luminous Flux	130LM/W	130LM/W	130LM/W
Input Voltage	AC100-240V	AC100-240V	AC100-240V
Frequency Range	50/60Hz	50/60Hz	50/60Hz
CRI	RA75	RA75	RA75
Temperature of working condition	-40°C - 50°C	-40°C - 50°C	-40°C - 50°C
humidity of working condition	20%-90%	20%-90%	20%-90%
LED life time	70000h	70000h	70000h
Protection Grade	IP66	IP66	IP66
PF	0.92	0.92	0.92
Net Weight	6.6 Kg	7.74 Kg	8.9 Kg
Gross Weight	7.6 Kg	8.8 Kg	10.0 Kg
Product Size	324*350*200mm	400*350*200mm	476*350*200mm
Packing Size	345*370*160mm	420*370*160mm	498*370*160mm

Remark: Each Module 63pcs Philip 3030LED

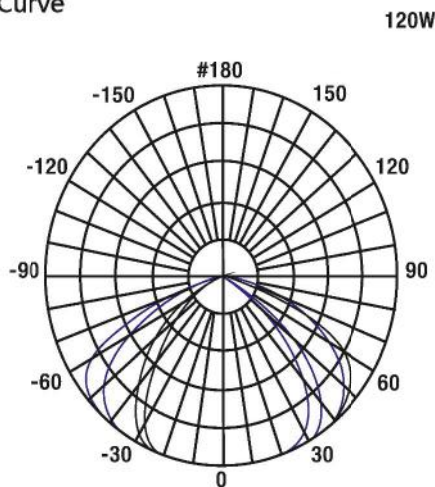
Packing size is outer size of box

All parameters are measured at 25 °C ambient temperature, 35% humidity experimental environment.

Product Dimension



Light Distribution Curve



AC100-277V Input Voltage	Hz 50/60 Frequency Range	PF >0.92 Power Factor	<15% THD	CRI 75 Color Rendering Index	-40-45°C Temperature of Working Condition	10~90% Humidity of Working Condition	70000h Life Time	IP66 Protection Grade
-----------------------------	--------------------------------	-----------------------------	-------------	------------------------------------	--	---	---------------------	--------------------------



Multi-Tech LED Light

Led Highbay

HB031

HB031B-100W-G Food service fixture



HB031B-200W



HB031A-100W



Philips Lumiled 3030 Led + Meanwell driver/Sosen driver

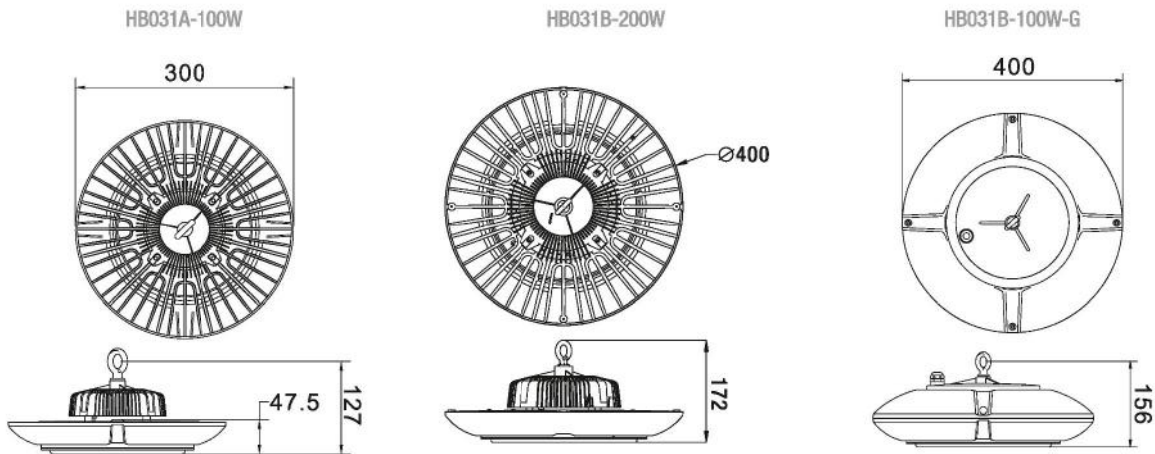
- Modern fashion design of appearance, made the light become an artwork, Integrated with the environment perfectly, to made is as top project.
- Main material used in high strength aluminum die casting material, surface anti-ageing electrostatic spray processing, super resistance to corrosion.
- 60,90,120 degree lens available.
- Input Voltage: AC100-240V, 50/60Hz, IP66, Ik08
- 200W fixture food service available.

Specification

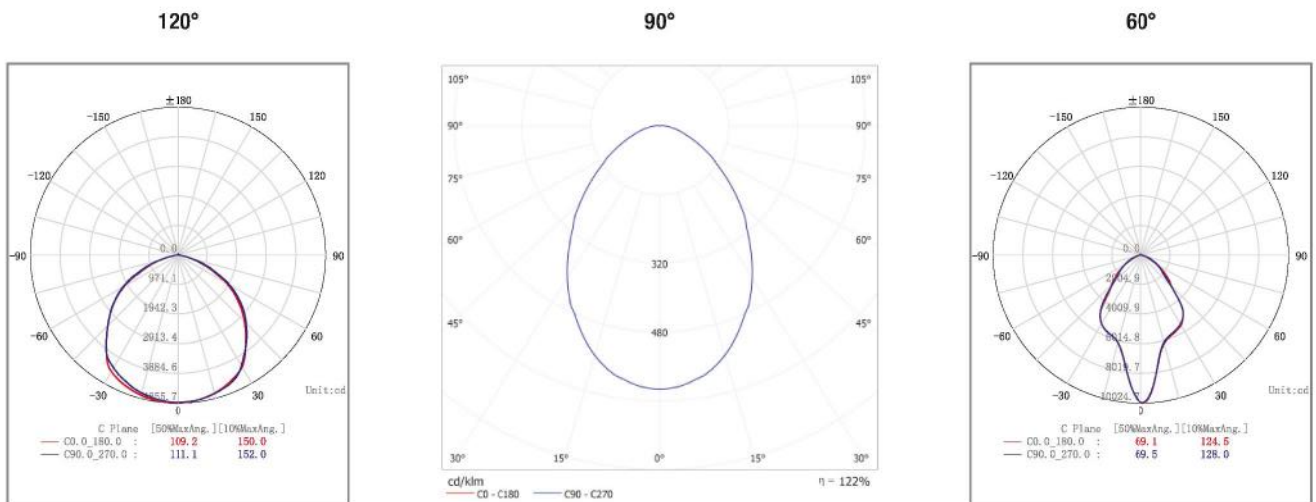
Product Code	HB031A-100W	HB031B-200W	HB031B-100W-G
LED Quantity	154pcs 3030	252pcs 3030	252pcs 3030
Rated Power	100W	200W	100W
Color Temperature	6500/4000/3000K	6500/4000/3000K	6500/4000/3000K
Luminous Flux	135LUM/W	135LUM/W	135LUM/W
PF	0.92	0.92	0.92
Net Weight	3.1 Kg	6.5 Kg	8 Kg
Gross Weight	3.3 Kg	7.5 Kg	9.5 Kg
Product Size	300*300*127mm	400*400*156mm	400*400*156mm

Packing size is outer size of box
 All parameters are measured at 25°C ambient temperature, 35% humidity experimental environment.

Product Dimension



Light Distribution Curve



AC100-277V Input Voltage	Hz 50/60 Frequency Range	PF >0.92 Power Factor	THD <15% Total Harmonic Distortion	CRI 75 Color Rendering Index	Temperature of Working Condition -40~45°C	Humidity of Working Condition 10~90%	70000h Life Time	IP66 Protection Grade
-----------------------------	--------------------------------	-----------------------------	--	------------------------------------	--	---	---------------------	--------------------------



Multi-Tech LED Light

Led Highbay



HB028

Philips Lumiled 3030 Led ,Meanwell driver



HB029

Philips Lumiled 3030 Led, No driver



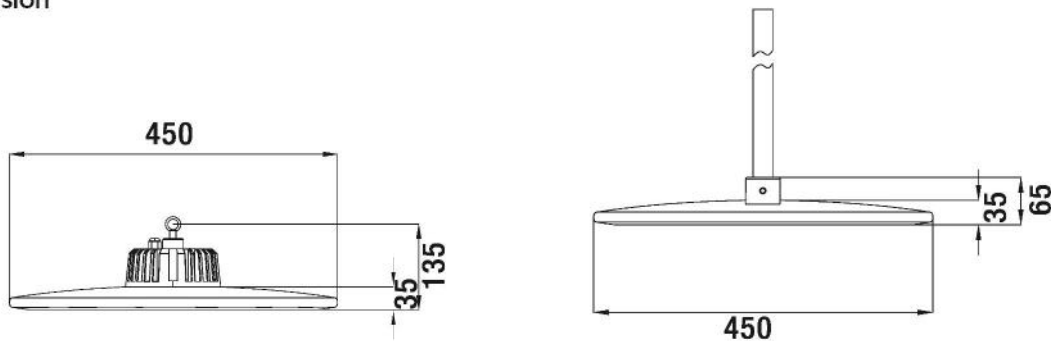
- Modern fashion design of appearance, made the light become an artwork, Integrated with the environment perfectly, to made is as top project.
- Main material used in high strength aluminum die casting material, surface anit-ageing electrostatic spray processing, super resistance to corrosion.
- Tempered glass cover, high strength impact resistance.
- Input Voltage: AC100-240V, 50/60Hz, IP66, Ik08

Specification

Product Code	HB028A	HB029A
LED Quantity	Philip Luxeon	Philip Luxeon
Rated Power	100 W	100 W
Electric Current (mA)	133mA	133mA
Color Temperature	6500/4000/3000K	6500/4000/3000K
Luminous Flux	130LM/W	130LM/W
PF	0.92	0.92
Input Voltage	AC100-240V	AC100-240V
Frequency Range	50/60Hz	50/60Hz
CRI	RA75	RA75
Temperature of working condition	-40°C - 50°C	-40°C - 50°C
humidity of working condition	20%-90%	20%-90%
LED life time	70000h	70000h
Protection Grade	IP66	IP66
Net Weight	4.8 Kg	4.8 Kg
Gross Weight	5.6 Kg	5.6 Kg
Product Size	311*311*178mm	450*450*65mm
Packing Size	325*325*205mm	480*480*100mm

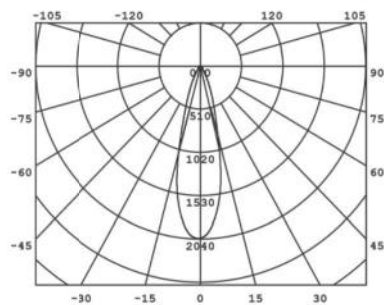
Packing size is outer size of box
All parameters are measured at 25°C ambient temperature, 35% humidity experimental environment.

Product Dimension

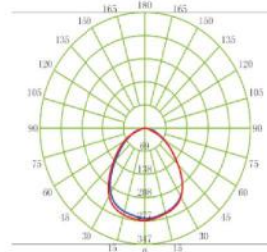


Light Distribution Curve

Type I



Type II



Light Distribution Curve

AC100-277V Input Voltage	Hz 50/60 Frequency Range	PF >0.92 Power Factor	<15% THD	CRI 75 Color Rendering Index	-40~45°C Temperature of Working Condition	10~90% Humidity of Working Condition	70000h Life Time	IP66 Protection Grade
-----------------------------	--------------------------------	-----------------------------	-------------	------------------------------------	--	---	---------------------	--------------------------



Multi-Tech LED Light

Led Highbay



HB026

Philips Lumiled 3030 Led
Meanwell driver/Sosen driver



HB027

Philips Lumiled 3030 Led, Philip driver



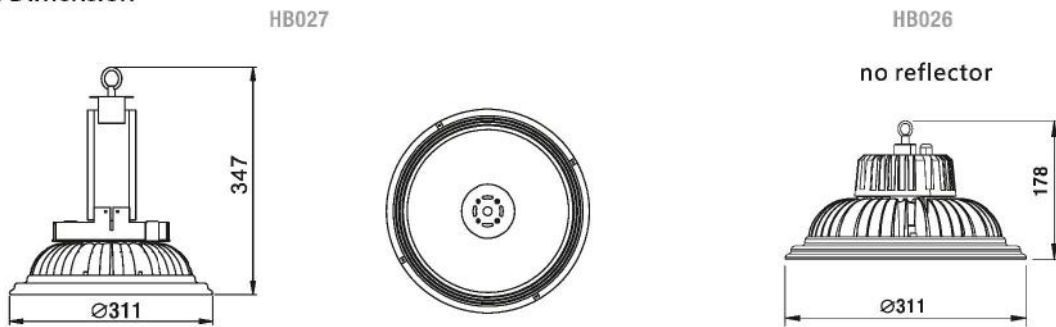
- Modern fashion design of appearance, made the light become an artwork, Integrated with the environment perfectly, to made is as top project.
- Main material used in high strength aluminum die casting material, surface anit-ageing electrostatic spray processing, super resistance to corrosion.
- Input Voltage: AC100-240V, 50/60Hz, IP66, IK08
- 60° and 90° reflectors for choice

Specification

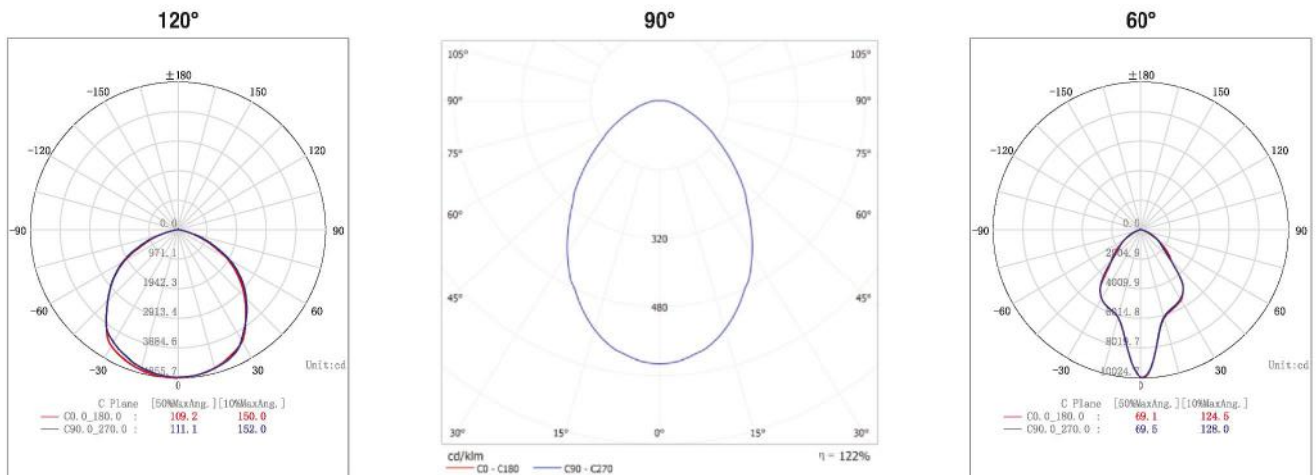
Product Code	HB026A/027A	HB026B/027B
LED Quantity	225pcs Philip Luxeon	345pcs Philip Luxeon
Rated Power	100 W	150W
LED Current (mA)	70mA	70mA
Color Temperature	6500/4000/3000K	6500/4000/3000K
Luminous Flux	130LM/W	130LM/W
PF	0.92	0.92
Input Voltage	AC100-240V	AC100-240V
Frequency Range	50/60Hz	50/60Hz
CRI	RA75	RA75
Temperature of working condition	-40°C - 50°C	-40°C - 50°C
humidity of working condition	20%-90%	20%-90%
LED life time	70000h	70000h
Protection Grade	IP66	IP66
Net Weight	4.8 Kg	5.0 Kg
Gross Weight	5.6 Kg	6.0 Kg
Product Size	311*311*347mm	311*311*347mm
Packing Size	330*330*215mm	330*330*215mm

Packing size is outer size of box
 All parameters are measured at 25°C ambient temperature, 35% humidity experimental environment.

Product Dimension



Light Distribution Curve



Light Distribution Curve

AC100-277V Input Voltage	Hz 50/60 Frequency Range	PF >0.92 Power Factor	<15% THD	CRI 75 Color Rendering Index	-40~45°C Temperature of Working Condition	10~90% Humidity of Working Condition	70000h Life Time	IP66 Protection Grade
-----------------------------	--------------------------------	-----------------------------	-------------	------------------------------------	--	---	---------------------	--------------------------



Multi-Tech LED Light



Led Flood Light

F021



- Aluminum die casting material, surface anit-ageing electrostatic spray processing, super resistance to corrosion.
- Tempered glass cover, high strength impact resistance.
- Input Voltage: IP66, Ik09 AC 90-140V or 180-260V 48-60HE
- No separate driver
- Steel bracket

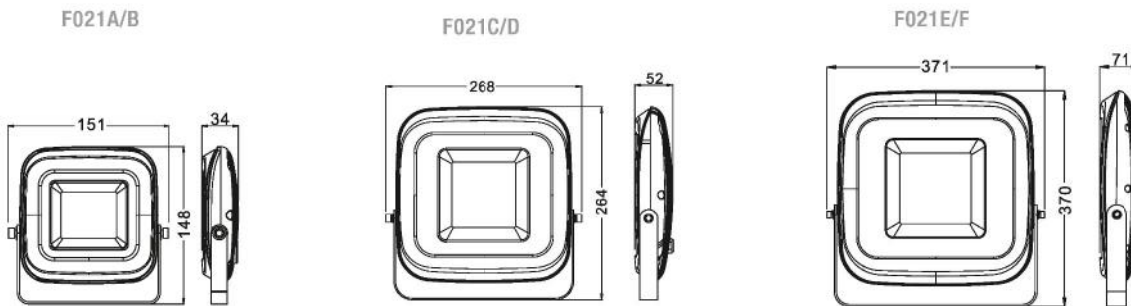


Specification

Product Code	F021A	F021B	F021C	F021D	F021E	F021F
LED Quantity	20pcs 3030	24pcs 3030	48pcs 3030	72pcs 3030	120pcs 3030	168pcs 3030
Rated Power	10W	20W	30W	50W	100W	150W
Color Temperature	6500/4000/3000K	6500/4000/3000K	6500/4000/3000K	6500/4000/3000K	6500/4000/3000K	6500/4000/3000K
Luminous Flux	100LM/W	100LM/W	100LM/W	100LM/W	100LM/W	100LM/W
PF	0.92	0.92	0.92	0.92	0.92	0.92
Net Weight	0.6 Kg	0.6Kg	2.1 Kg	2.1 Kg	4.8 kg	4.8 kg
Gross Weight	0.7Kg	0.7Kg	2.3 Kg	2.3 Kg	5.2 kg	5.2 kg
Product Size	151*148*34mm	151*148*34mm	268*264*52mm	268*264*52mm	371*370*71mm	371*370*71mm
Packing Size	450*340*340mm/20pcs	450*340*340mm/20pcs	580*490*300mm/10pcs	580*490*300mm/10pc	s 540*400*400mm/5pcs	540*400*400mm/5pcs

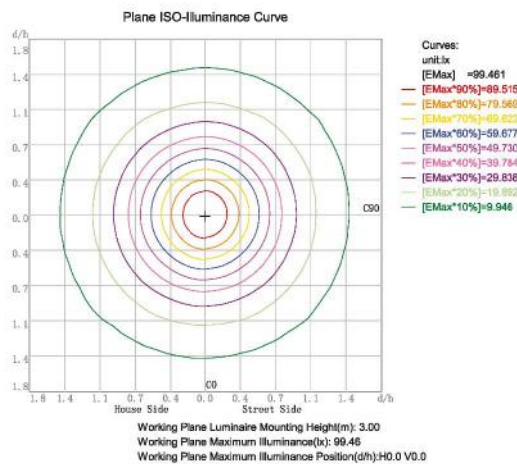
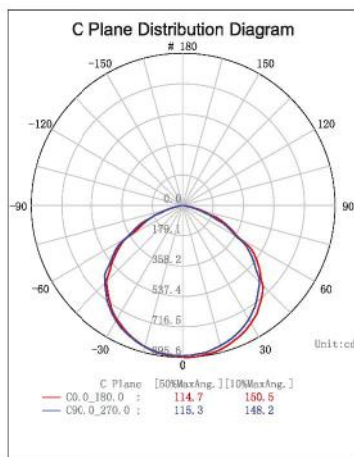
Packing size is outer size of box
 All parameters are measured at 25 °C ambient temperature, 35% humidity experimental environment.

Product Dimension



Light Distribution Curve

30W



AC100-277V Input Voltage	Hz 50/60 Frequency Range	PF >0.92 Power Factor	<15% THD	CRI 75 Color Rendering Index	-40~45°C Temperature of Working Condition	10~90% Humidity of Working Condition	70000h Life Time	IP66 Protection Grade
-----------------------------	--------------------------------	-----------------------------	-------------	------------------------------------	--	---	---------------------	--------------------------



Multi-Tech LED Light

Led Flood Light

F017



SMD 5830 Led Without Lens

Specification

Product Code	F017	F017B	F017C	F017D	F017E	F017F
LED Quantity	20pcs 2835	40pcs 2835	60pcs 2835	100pcs 2835	200pcs 2835	300pcs 2835
Rated Power	10W	20W	30W	50W	100W	150W
Color Temperature	6500/4000/3000K	6500/4000/3000K	6500/4000/3000K	6500/4000/3000K	6500/4000/3000K	6500/4000/3000K
Luminous Flux	100LM/W	100LM/W	100LM/W	100LM/W	100LM/W	100LM/W
PF	0.92	0.92	0.92	0.92	0.92	0.92
Net Weight	0.88 Kg	0.9 Kg	3.1 Kg	3.2 Kg	7.1 Kg	7.6 Kg
Gross Weight	1.0 Kg	1.0 Kg	3.3 Kg	3.4 Kg	7.5 Kg	8.0 Kg
Product Size	199*164*38mm	199*164*38mm	335*320*52mm	335*320*52mm	460*417*61mm	460*417*61mm
Packing Size	650*370*240mm/20pcs	650*370*240mm/20pcs	690*420*370mm/10pcs	690*420*370mm/10pcs	450*450*500mm/5PCS	450*450*500mm/5PCS



Specification

Product Code	F017C-L	F017D-L	F017E-L	F017F-L
LED Quantity	48pcs 3030	96pcs 3030	180pcs 3030	180pcs 3030
Rated Power	30W	50W	100W	150W
Color Temperature	6500/4000/3000K	6500/4000/3000K	6500/4000/3000K	6500/4000/3000K
Luminous Flux	130LUM/W	130LUM/W	130LUM/W	110LUM/W
PF	0.92	0.92	0.92	0.92
Net Weight	3.1 Kg	3.2 Kg	7.1 Kg	7.6 Kg
Gross Weight	3.3 Kg	3.4 Kg	7.5 Kg	8.0 Kg
Product Size	335*320*52mm	335*320*52mm	460*417*61mm	460*417*61mm
Packing Size	690*420*370mm/10pcs	690*420*370mm/10pcs	450*450*500mm/5PCS	450*450*500mm/5PCS

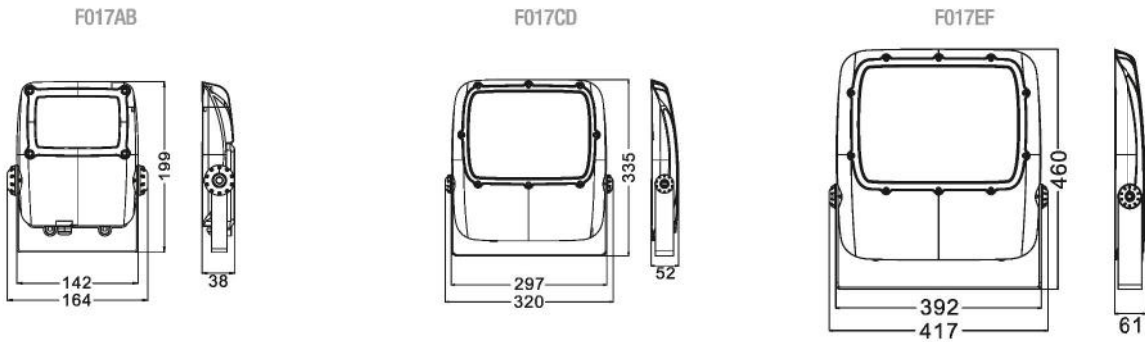
Packing size is outer size of box

All parameters are measured at 25°C ambient temperature, 35% humidity experimental environment.

Cree Led/Philips Lumiled 3030 Led Meanwell driver,with lens

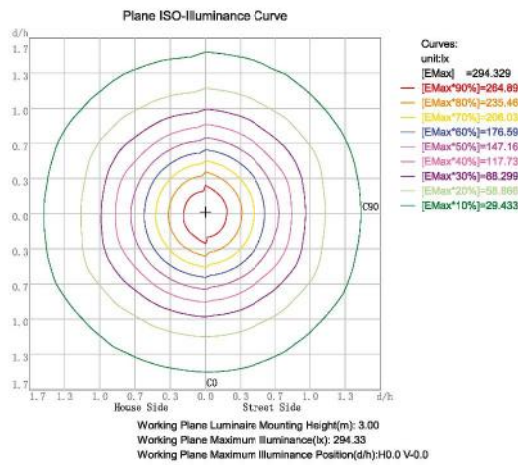
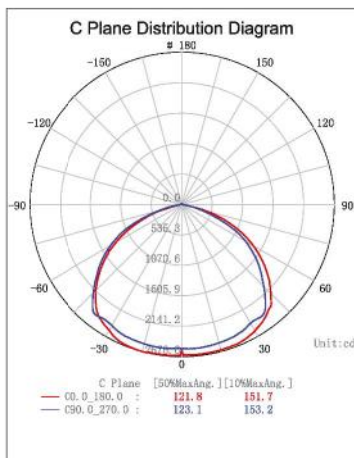
- Modern fashion design of appearance, made the light become an artwork, Integrated with the environment perfectly, to made is as top project.
- Main material used in high strength aluminum die casting material, surface anit-ageing electrostatic spray processing, super resistance to corrosion.
- Tempered glass cover, high strength impact resistance.
- Input Voltage: AC100-240V, 50/60Hz, IP66, Ik09
- Steel bracket

Product Dimension



Light Distribution Curve

50W



AC100-277V Input Voltage	Hz 50/60 Frequency Range	PF >0.92 Power Factor	<15% THD	CRI 75 Color Rendering Index	-40~45°C Temperature of Working Condition	10~90% Humidity of Working Condition	70000h Life Time	IP66 Protection Grade
-----------------------------	--------------------------------	-----------------------------	-------------	------------------------------------	--	---	---------------------	--------------------------



Multi-Tech LED Light



Led Flood Light

F016



- Modern fashion design of appearance, made the light become an artwork, integrated with the environment perfectly, to make it as a top project.
- Main material used in high strength aluminum die casting material, surface anti-ageing electrostatic spray processing, super resistance to corrosion.
- Tempered glass cover, high strength impact resistance.
- Input Voltage: AC110-277V, 50/60Hz, IP66, IK09
- Steel bracket